

AI : 75489

Rec'd via email:
08/01/2023

**MAJOR MODIFICATION FORM
FOR LARGE CONSTRUCTION GENERAL PERMIT**
Coverage No. MSR10 7 9 6 4 County Madison



INSTRUCTIONS

Coverage recipients shall notify the Mississippi Department of Environmental Quality at least 30 days in advance of the following activities (check all that apply). This form should be submitted with a modified Storm Water Pollution Prevention Plan (SWPPP), updated USGS topographic map, Corps of Engineers Section 404 documentation and wastewater collection and treatment information, as appropriate.

- SWPPP details have been developed and are ready for MDEQ review for subsequent phases of an existing, covered project.
- "Footprint" identified in the original LCNOI is proposed to be enlarged.

This form must be signed by the current coverage recipient under Mississippi's Large Construction General Permit. A different developer of new phases of existing subdivisions must apply for separate permit coverage through the submittal of a new complete LCNOI package. Coverage recipients are authorized to discharge storm water associated with proposed expansions of existing subdivisions or subsequent phases, under the conditions of the General Permit, only upon receipt of written notification of approval by MDEQ. All other modifications, such as changes of erosion and sediment controls used, must be in accordance with ACT6, S-1 (6) and S-2 (7) of the General Permit.

ALL INFORMATION MUST BE COMPLETED (indicate "N/A" where not applicable)


COVERAGE RECIPIENT INFORMATION

COVERAGE RECIPIENT CONTACT NAME: Lee Stafford TEL # (662) 495-1709
 COMPANY NAME: Main ST Investments, LLC
 STREET OR P.O. BOX: P.O. Box 1216
 CITY: West Point STATE: MS ZIP: 39773 E-MAIL: mark@casprop.net

PROJECT INFORMATION

PROJECT NAME: The Village at Madison, Phases 2 & 3
 CITY: Madison
 ADDITIONAL ACREAGE TO BE DISTURBED: 5.3 TOTAL PROJECT ACREAGE: 24.1

I certify under penalty of law that this document and all attachments were prepared under my direction or supervision in accordance with a system designed to assure that qualified personnel properly gathered and evaluated the information submitted. Based on my inquiry of the person or persons who manage the system, or those persons directly responsible for gathering the information, the information submitted is, to the best of my knowledge and belief, true, accurate and complete. I am aware that there are significant penalties for submitting false information, including the possibility of fine and imprisonment for knowing violations.


 Signature (must be signed by coverage recipient)
Lee Stafford
 Printed Name

01-11-22
 Date
Member
 Title

Please submit this form to:

Chief, Environmental Permits Division
MS Department of Environmental Quality, Office of Pollution Control
P.O. Box 2261
Jackson, Mississippi 39225

O.C



*State of Mississippi
Department of Environmental Quality
Office of Pollution Control*

Certificate of Permit Coverage

under Mississippi's Large Construction Storm Water General NPDES Permit

Be it known

**Main Street Investments, LLC
West Point, Mississippi**

having submitted an acceptable Construction Notice of Intent, is hereby granted this Certificate of Permit Coverage in order to discharge storm water associated with the construction of

**The Village at Madison
Receiving Stream: Brashear Creek
Madison County**

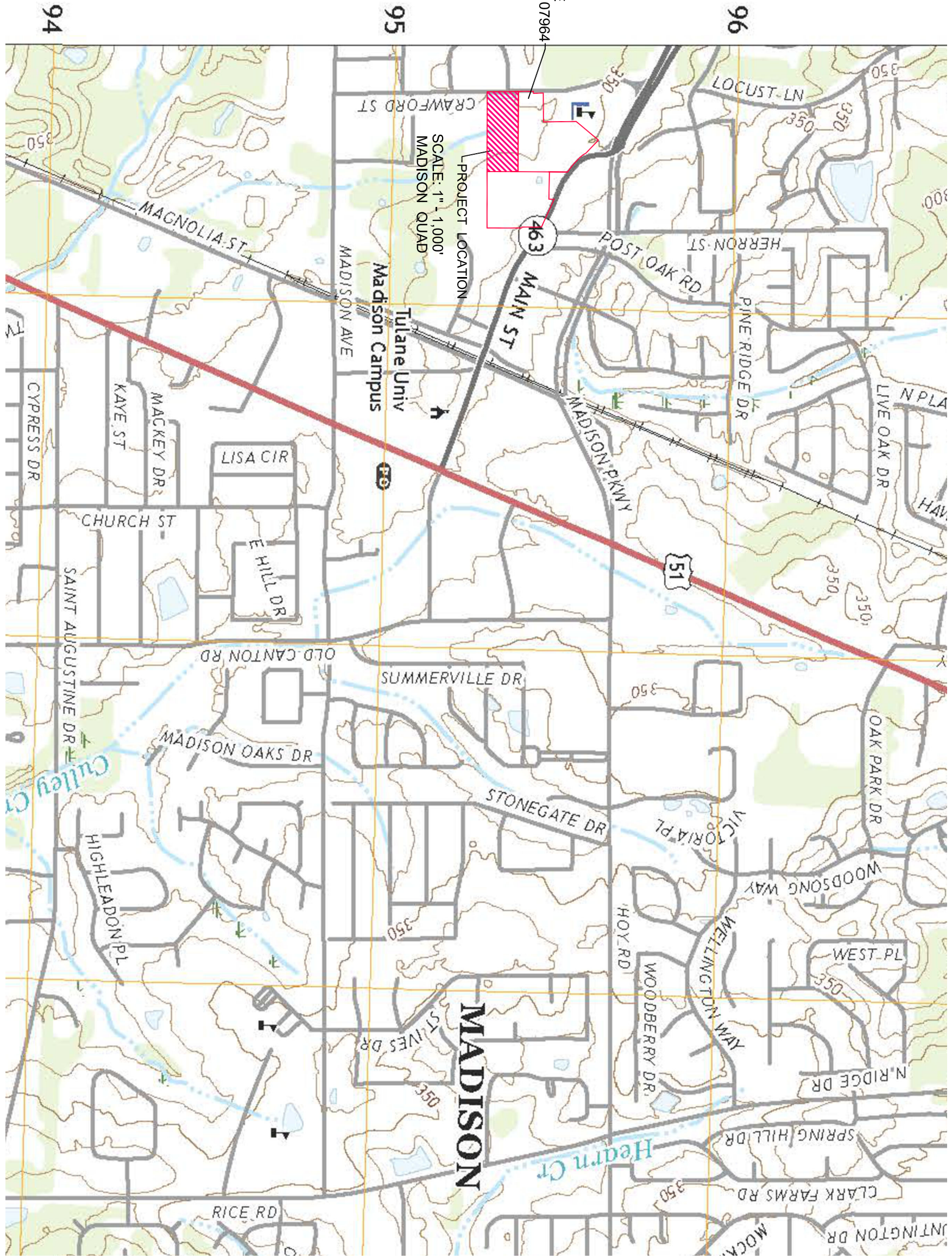
*Coverage No: MSR107964
Date of Coverage: June 19, 2019
Date Permit Expires: December 31, 2021*

*Date Coverage Modified: **OCT 07 2019***


Chief, Environmental Permits Division

75489 GNP20190002

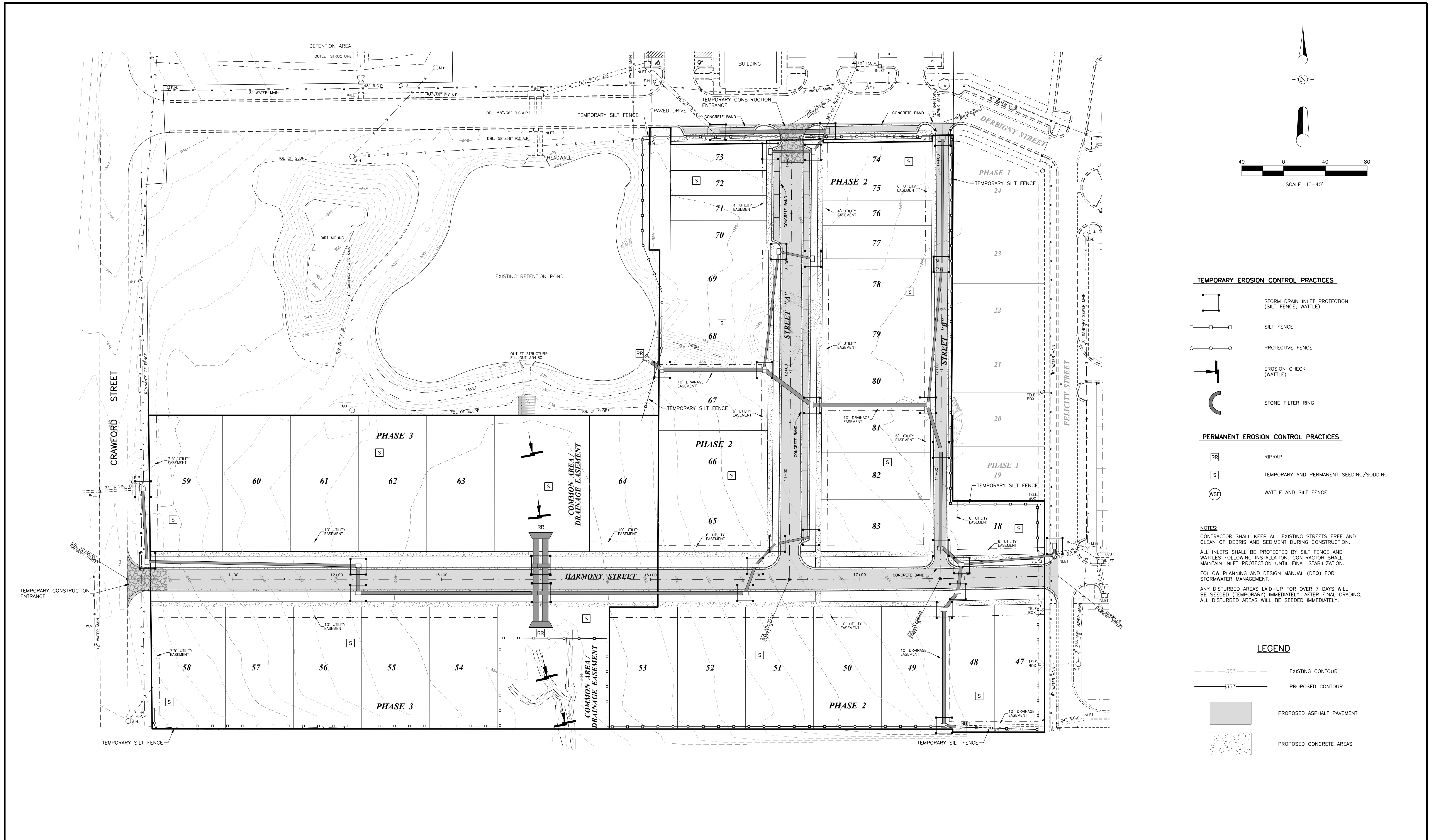
ORIGINAL COVERAGE
COVER AGE NO. MSR107964



94

95

96



Revisions				
#	Date	Nature	By	App'd.

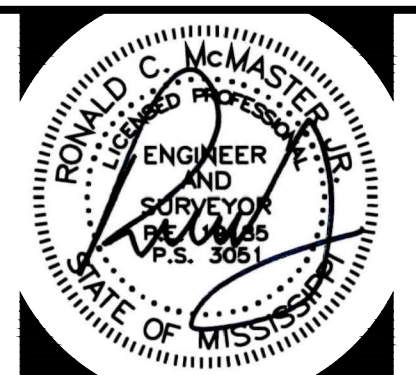
Project No.	M-2690-1-1	Designed By	R.C.M.
Date	3-1-22	Drawn By	D.P.
Scale	SEE ABOVE	Checked By	R.C.M.

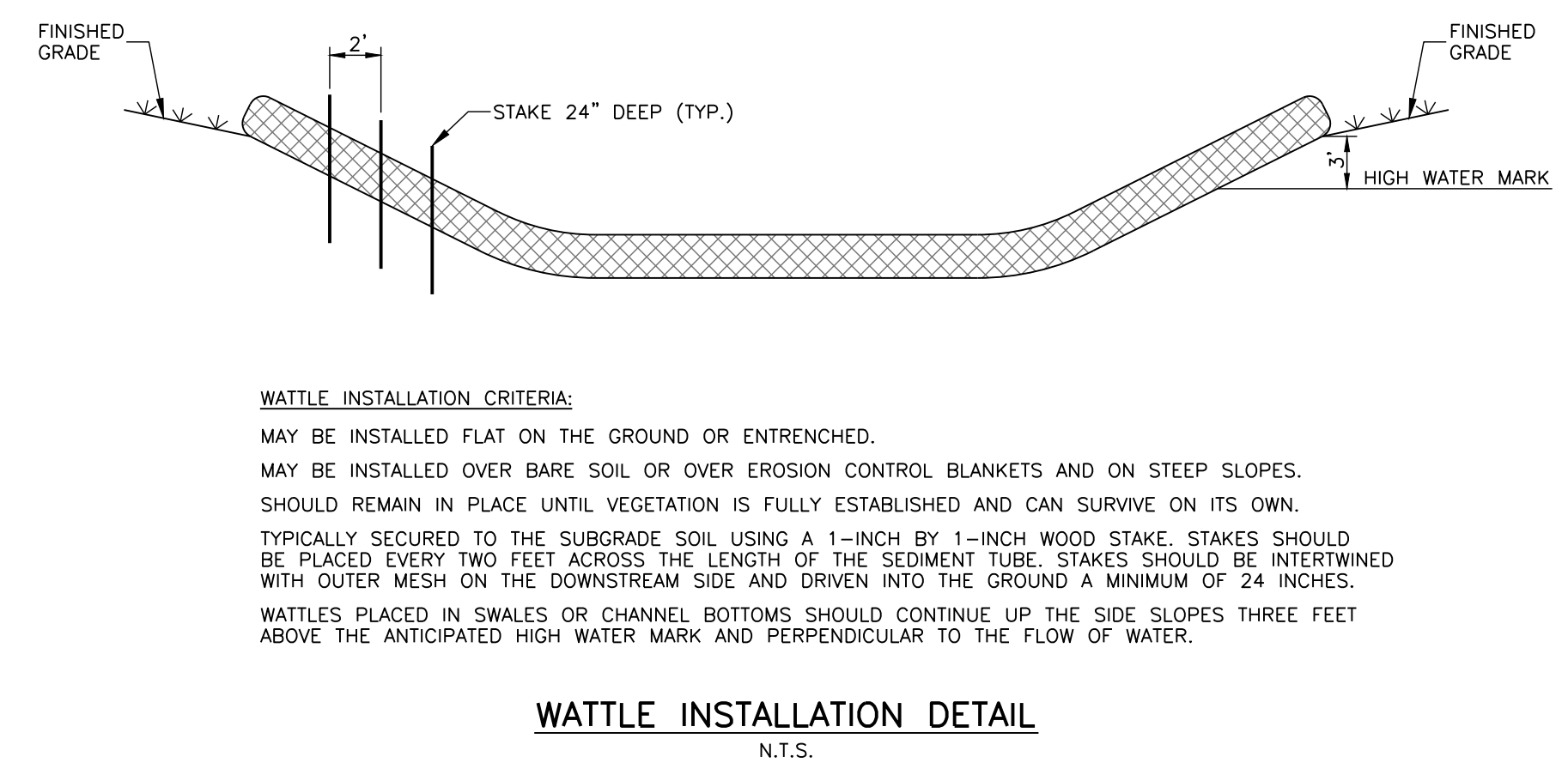
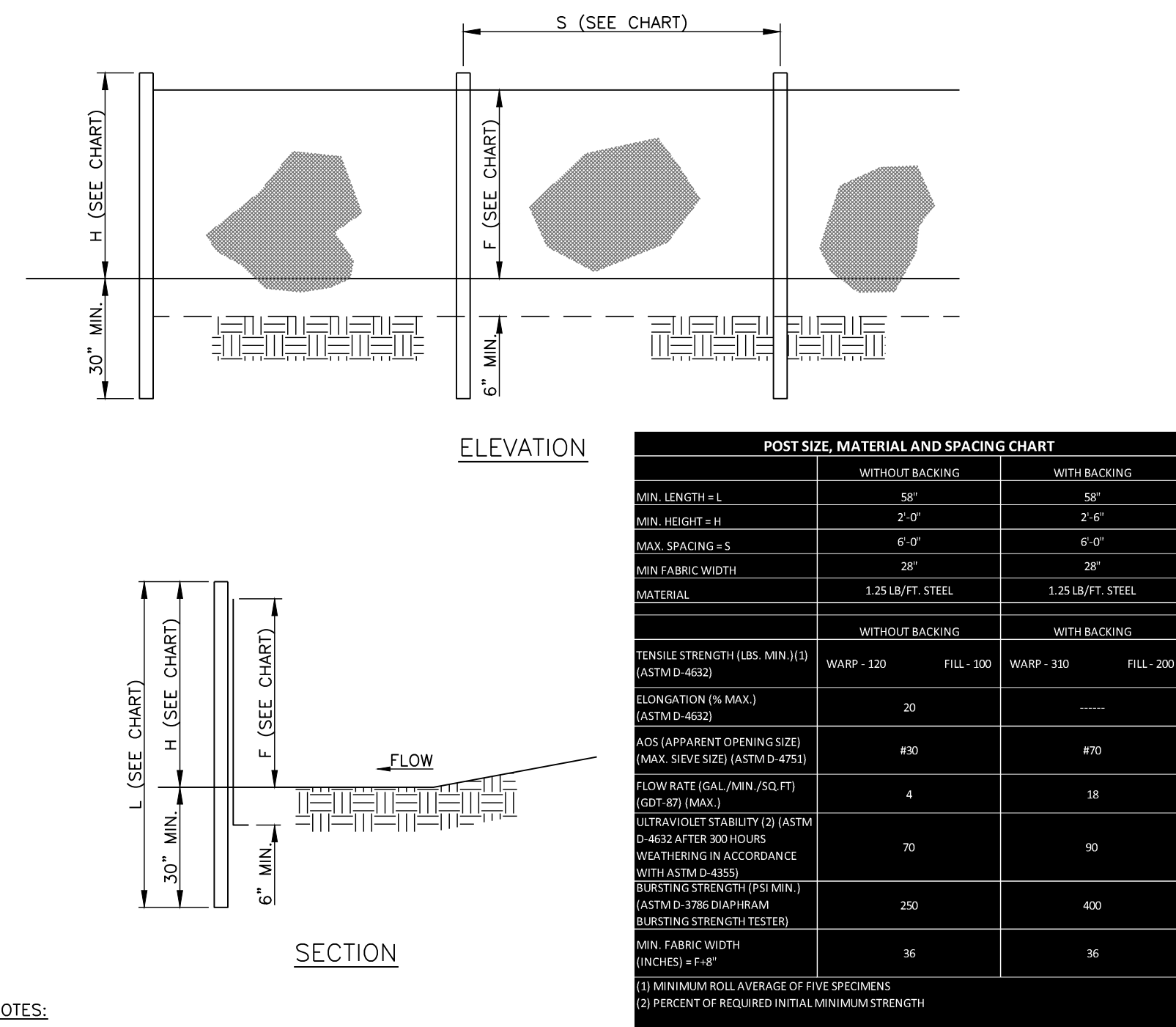
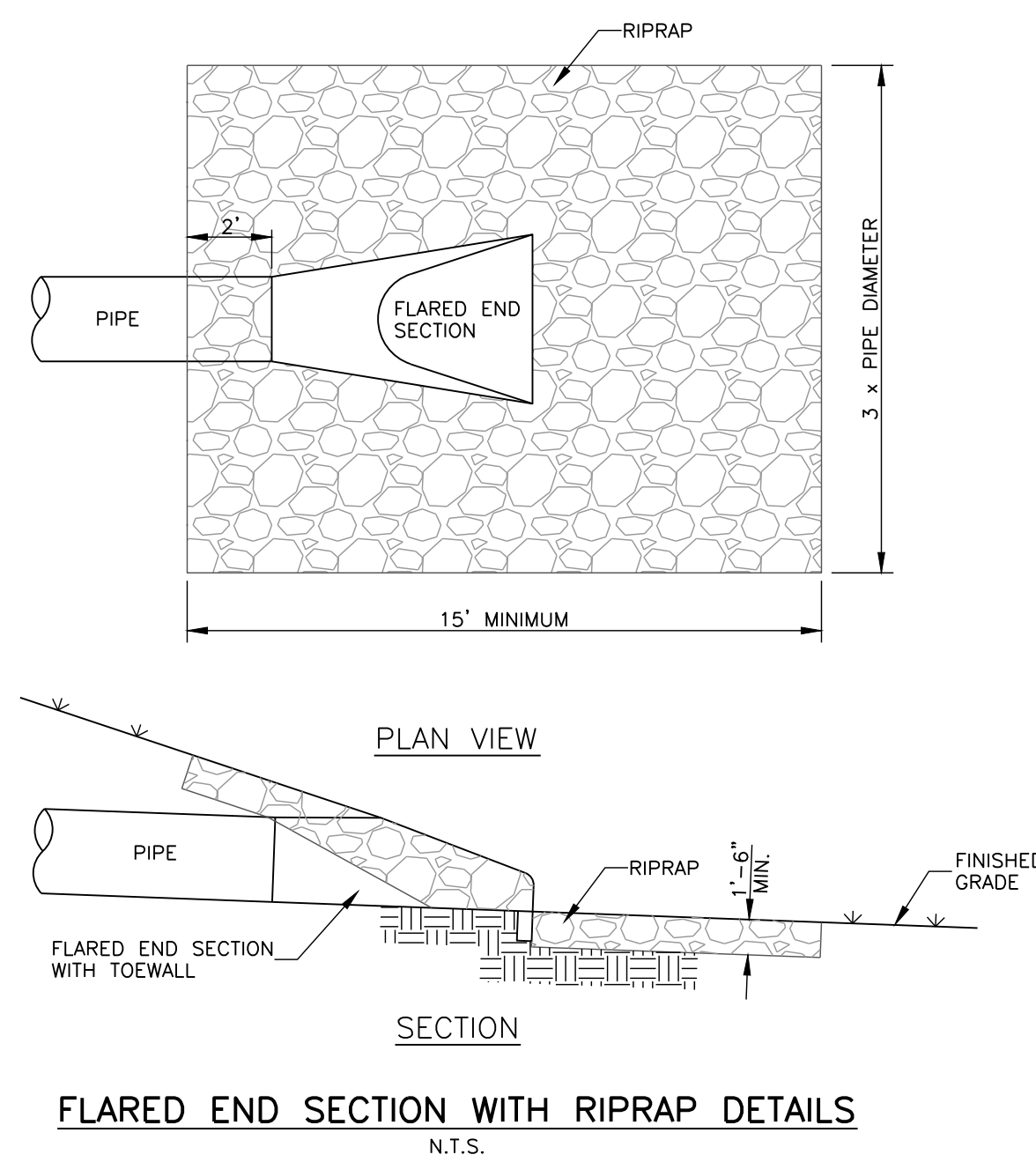
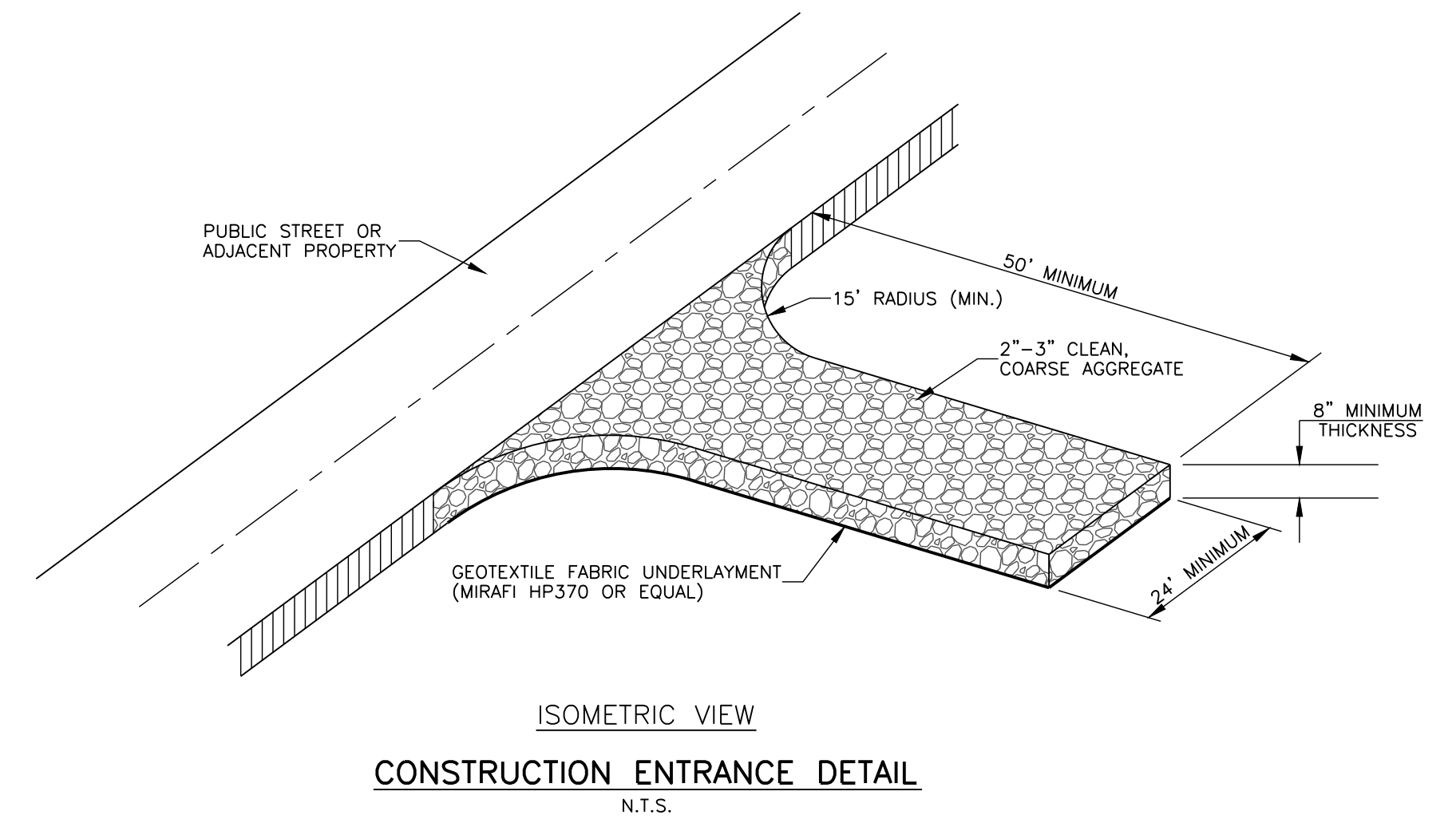
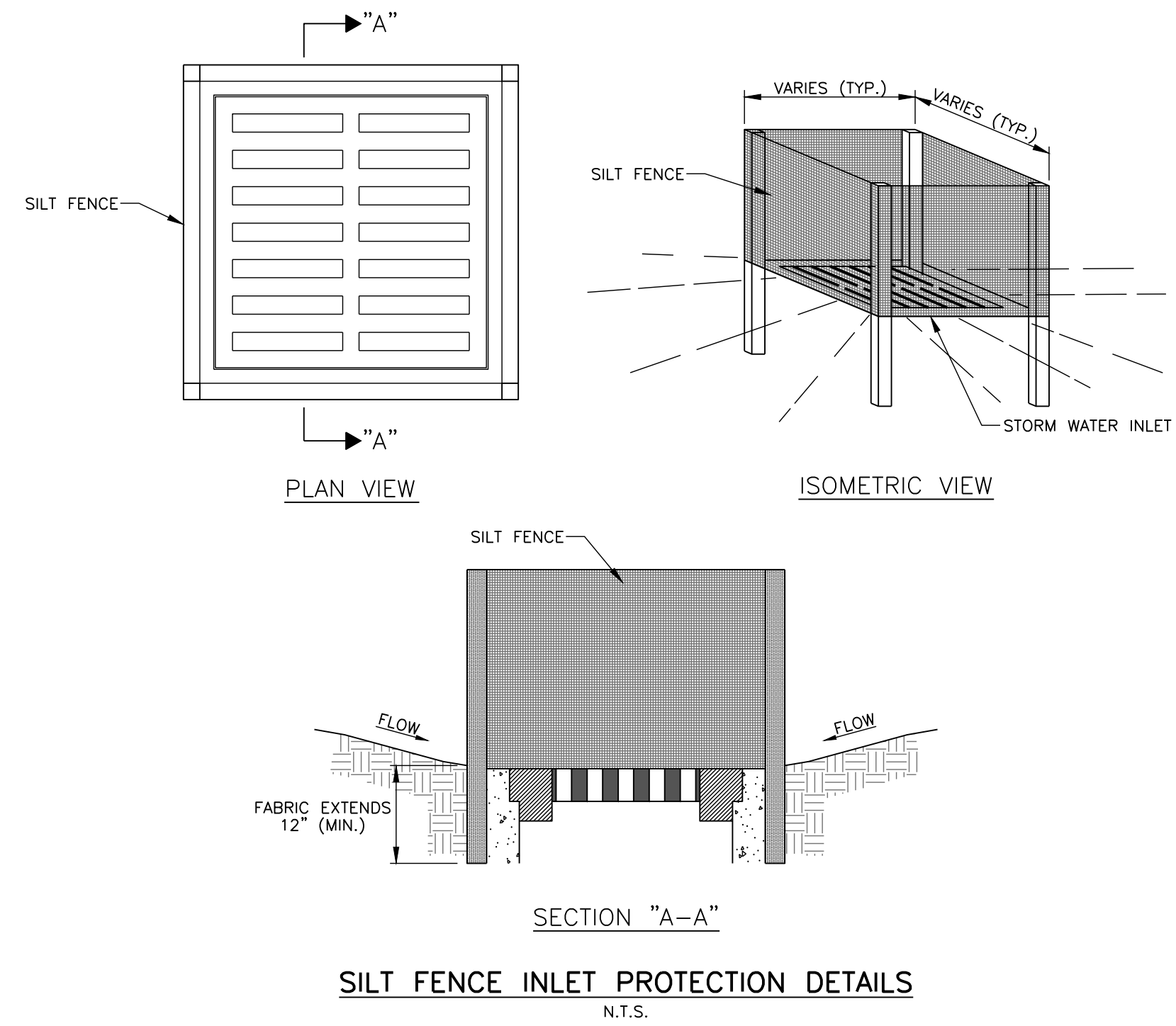
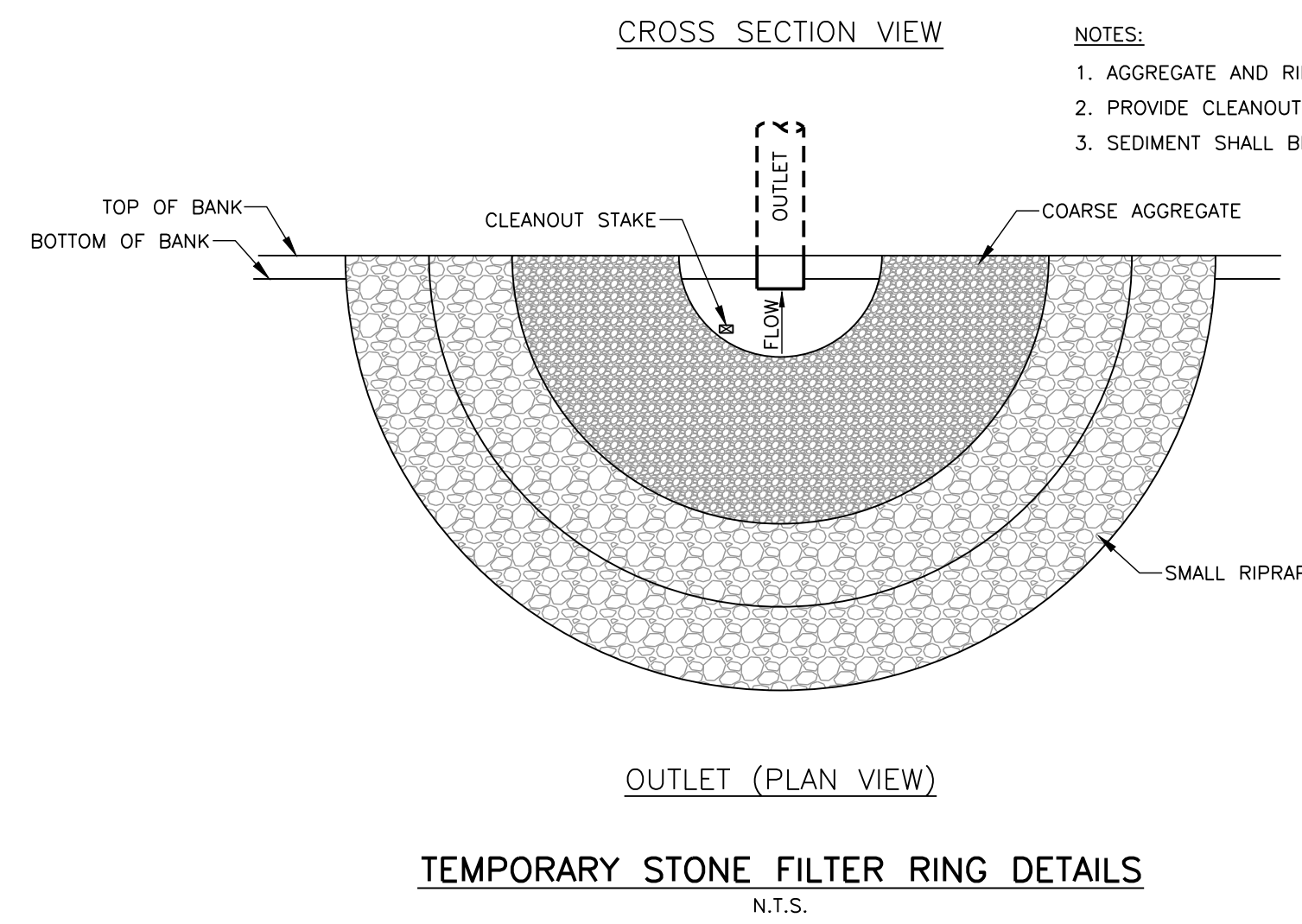
**THE VILLAGE AT MADISON, PHASES 2 & 3
MADISON, MISSISSIPPI**



McMASTER & ASSOCIATES, INC.
CIVIL ENGINEERS & LAND SURVEYORS

212 WATERFORD SQUARE
SUITE 300
MADISON, MS 39110
601.605.1090





SILT FENCE INSTALLATION DETAILS
N.T.S.

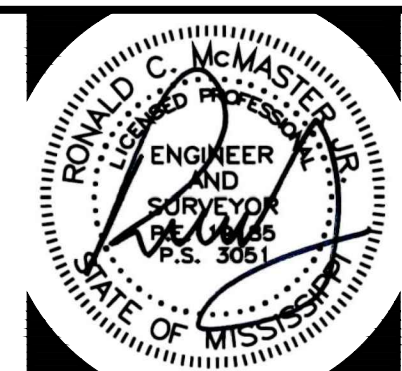
Revisions				
#	Date	Nature	By	App'd.

Project No.	M-2690-1-1	Designed By	R.C.M.
Date	3-1-22	Drawn By	D.P.
Scale	SEE ABOVE	Checked By	R.C.M.

**THE VILLAGE AT MADISON, PHASES 2 & 3
MADISON, MISSISSIPPI**



212 WATERFORD SQUARE
SUITE 300
MADISON, MS 39110
601.605.1090



SUBJECT: STORM WATER POLLUTION PREVENTION PLAN
PROJECT NAME: THE VILLAGE AT MADISON, PHASES 2 & 3
PROJECT NUMBER: M-2690-1-1
COUNTY: CITY OF MADISON, MS

SITE INFORMATION

The 7.47 acre site is located in the SW ¼ of Section 8, T7N-R2E, City of Madison, Mississippi,. The subject property is also referenced by Global Positioning System (GPS) N32.461883 – W90.122239. During the proposed construction of the site, 7.47 acres will be disturbed to some extent and will include the construction of a residential development. All acres are in medium erosion hazard due to soil type and slopes.

Site Description: before

The site is comprised of rolling terrain with slopes generally from 1 to 3 percent. Most of the overland drainage can be considered sheet flow and predominately drains north to south.

Site Description: after

The site will include a residential development. All open areas will be grassed and stabilized before the project is finalized.

SEDIMENT AND EROSION CONTROL REQUIREMENTS

VEGETATIVE CONTROLS: All diversions will be grassed within seven calendar days. Permanent erosion controls (soil preparation, fertilizing, seeding, and mulching, sodding and matting, and riprap) will be placed accordingly as shown on the Storm Water Pollution Prevention Plan sheet. Any disturbed areas laid-up for over 7 days will be seeded (temporary) immediately. After final grading, all disturbed areas will be seeded immediately.

STRUCTURAL CONTROLS: The construction entrance/exit, temporary silt fence, a temporary sediment basin, and all other controls, as shown on the Storm Water Pollution Prevention Plan Sheet, will be installed prior to construction. Immediately following clearing and grubbing, additional silt fence and hay bales will be installed where necessary throughout the project. Other controls such as silt fence, hay bales, slope breaks, and diversions will also be utilized to prevent sediment runoff.

HOUSEKEEPING PRACTICES: The contractor is reminded of his responsibilities which include equipment maintenance and repair, concrete chute wash off, trash/debris, storage of chemicals and other toxic materials, and sanitary facilities. Storm water pollution prevention best management practice techniques are to be applied throughout the construction of this project, the cost of which is to be included in regular bid items.

IMPLEMENTATION SEQUENCE

The construction entrance/exit, temporary silt fence, temporary sediment basin, and all other controls, as shown on the Storm Water Pollution Prevention Plan Sheet, will be installed prior to construction operations beginning. Immediately following clearing and grubbing, additional silt fence and hay bales will be installed where necessary throughout the project. Permanent erosion control measures should be placed as construction progresses and no later than 7 days after substantial completion of grade and drain operations.

MAINTENANCE PLAN

Check all disturbed areas, erosion and sediment controls weekly and after a rainfall event that produces a discharge. Make needed repairs within 24 hours. Sediment will be removed from behind the silt fence when it becomes one-third to one-half the height of the control. The silt fence will be replaced if necessary to maintain barrier. Accumulated sediment in the temporary sediment basin shall be removed when the capacity has been reduced by 50%. All removed sediment shall be properly disposed.

FINAL STABILIZATION

Following construction, all open areas will be permanently seeded/mulched/sodded. Landscaping operations using trees and shrubs will also be added to the site. Once a permanent vegetative cover is established on the site, all silt fence and temporary measures will be removed and coverage terminated.