

**STORM WATER POLLUTION  
PREVENTION PLAN (SWPPP)  
&  
LARGE CONSTRUCTION NOTICE  
OF INTENT (LCNOI)**

FOR

Warehouse in Grenada  
American Way  
Grenada, Grenada County, Mississippi 38901

**February, 2023**

PREPARED BY:



6652 US Highway | Hattiesburg, MS 39402

t 601.261.2609 | f 601.261.5573 | [clearpointengineers.com](http://clearpointengineers.com)

## TABLE OF CONTENTS

<b>SECTION</b>	<b>PAGE NO.</b>
<b>I. Introduction</b>	2
<b>II. Site Information</b>	
A. Site Description	2
B. Drainage Patterns	2
C. Description of Work	2
D. Potential Pollution Sources	3
E. Non-Storm Water Discharges	3
F. Non-Storm Water Solid Materials	3
<b>III. Best Management Practices</b>	
A. General	3
B. Vegetative Controls	3
C. Structural Controls	4
D. Housekeeping Practices	4
E. Post Construction Storm Water Management Measures	4
<b>IV. Implementation Sequence</b>	5
<b>V. Inspections, Maintenance and Reporting</b>	
A. Inspections	5
B. Maintenance	6
C. Reporting	6
D. Staff Training	6
<b>VI. Revisions</b>	6
Appendix A – Vegetative Seeding Schedule	
Appendix B – Large Construction Forms Package	
Appendix C – U.S.G.S Quadrangle Map and Aerial Map with Project Location	
Appendix D - Erosion Control Plans	
Appendix E - Erosion Control Details	

## I. INTRODUCTION

The purpose of the Storm Water Pollution Prevention Plan (SWPPP) is to provide a site specific description of the best management practices to prevent contamination of the storm water with potential pollutants from construction activities related to the proposed project. The storm-water pollution prevention plan has been prepared as required by the Mississippi Department of Environmental Quality in compliance with the application regulations for sites that disturb more than five (5) acres of erosive area.

This SWPPP is to be incorporated into the routine construction activities at the development. The potential sources of pollution have been identified at the site and are described in this plan. Several pollution control measures are specified in the plan to prevent contamination of storm water runoff from those sources. The plan also outlines implementation, inspection, and maintenance requirements. The erosion and sediment control practices should be monitored and the plan revised if the quality of storm water runoff is not satisfactory.

## II. SITE INFORMATION

- A. Site Description:** The site is located in Grenda MS on American Way in Section 24, T-23-N, R-4-E, Grenada County, Mississippi. The site currently consists of an undeveloped open field, and is bordered on the north and East by undeveloped land, to the South and West American Way. The site consists of terrain sloping in a easterly direction away from American Way. Slopes range from two to twelve percent (2-12%). The property is located in Flood Zones “X”, as per Flood Insurance Rate Map (FIRM) Number 28043C0130C, effective date May 24, 2011. Zone “X” is designated on said FIRM as “Areas determined to be outside the 0.2% annual chance floodplain”.
- B. Drainage Patterns:** The site consists of sloping terrain sloping away from the middle of the site. Post-construction storm water runoff generated by the proposed site improvements will be discharged off-site. Discharge from said site will flow in an easterly direction toward Martin Creek.
- C. Description of Work:** Initial earthwork operations will consist of establishment of erosion control measures, followed by completion of on-site grading. Erosion control measures will be implemented to prevent the off-site runoff of sediment from disturbed areas. Phases of construction include site clearing, site grading, installation of storm drainage and utilities, parking lot paving, and building construction. The total disturbed area for the development is estimated at 9.8 acres.
- D. Potential Pollution Sources:** The most significant potential pollutants are soil particles subject to removal by storm water. Other potential pollutants subject to removal by storm water are spilled fuel and lubricants. Material may also

be inadvertently tracked off-site or blown off-site when distributed by hauling equipment.

- E. **Non-Storm Water Discharges:** Potential non-storm water discharges consist of irrigation water and watering of the haul roads to control dust. Due to the permeability of the soil and the arid conditions when this activity is required, no significant impact is anticipated from these sources.
- F. **Non-Storm Water Solid Materials:** The on-site generation of solid materials will be minimal, and its proper disposal will be closely monitored. All solid waste will be taken off-site for proper disposal.

### III. BEST MANAGEMENT PRACTICES AND CONTROLS

- A. **General:** In order to prevent contamination of storm water by the potential pollutants previously discussed, erosion and sediment controls during construction will be designed to prevent and minimize erosion and retain sediment onsite to the extent practical, and to ensure that no significant changes occur in the volume or characteristics of storm water runoff to receiving waters. All erosion and sediment control measures will be properly selected, installed, and maintained in accordance with the manufacturer's specifications and sound engineering practices. These measures shall be installed in accordance with the details provided and located at periodic intervals. All disturbed areas shall be grassed, and existing vegetation on undisturbed areas shall be maintained as long as possible.

The storm water which leaves the site shall meet the non-numeric limitations of being free from the following:

- oil, scum, debris and other floating materials; eroded soils and other materials that will settle out of the storm water to form objectionable deposits in receiving waters;
- suspended solids, turbidity and color levels inconsistent with the receiving waters; and
- chemicals in concentrations what would cause violations of the State Water Quality Criteria in the receiving waters.

- B. **Vegetative Controls:** Existing trees will be preserved where possible. All diversions will be seeded (permanent seeding) immediately after completion of construction. Topsoil will be stockpiled for use in landscaping. Grass-lined waterways will be dressed with a thin layer of topsoil, seeded and mulched immediately after completion of construction. Temporary straw-net liners may be required on steeper ditches and slopes to facilitate vegetative growth. Steeper ditch slopes may require permanent treatment such as solid sod or concrete paving of the inverts to prevent erosion. All 3:1 cut slopes will be roughened by disking prior to seeding. After rough grading or installation of storm drainage and utilities, all disturbed areas where construction activities have temporarily ceased and will not resume for a period of fourteen (14) days

or more, shall be immediately seeded and mulched. After final grading, all disturbed areas will be stabilized immediately after completion of final grading.

See Appendix A for seeding, fertilizing, and mulching rates.

- C. **Structural Controls:** Prior to establishment of permanent vegetation on reclaimed areas, temporary controls will be established and maintained during construction. Where possible, upslope waters shall be diverted around disturbed areas. Intermittent berms and turn-outs shall be used on steep haul roads slopes as a means to minimize longitudinal erosion and to provide drainage relief.

Silt fence and brush barriers shall be placed along the downstream side of excavation areas and to protect the ditches from erosion. Silt fences shall also be installed along the toe of fill slopes and around the perimeter of topsoil stockpiles to prevent off-site sediment runoff. Hay bales and/or wattles shall be used to stabilize slopes and protect ditches from erosion. All cut slopes will be at or below 3:1 grade. Inlet protection (hay bales and/or wattles) will be installed around drainage structures to form a barrier. Rip-rap or flexamat shall be placed at culvert outlets to reduce velocities and minimize erosion. A construction entrance will be placed at a designated location, and any accumulation of mud on vehicle tires will be washed, if needed, during muddy conditions.

- D. **Housekeeping Practices:** All equipment maintenance and repair will occur done off-site. Trash cans or dumpsters will be placed at convenient locations throughout site. The main trash collection bin will be located for convenient use and pickup by disposal entity. Paints, solvents, fertilizers, or any other potentially toxic materials will not be stored on-site. Portable sanitary facilities will be provided for construction workers during home construction. Concrete truck drivers will be instructed to return any materials to the concrete batch plant and complete final washing procedures at that location.

- E. **Post-Construction Storm Water Management Measures:** Riprap or flexamat shall be placed at pipe culvert outfalls to minimize erosion. All disturbed areas shall be stabilized with a complete stand of grass. Ditches with excessive slopes shall receive permanent stabilization such as riprap check dams, geosynthetic mats, solid sod or concrete paving. Any sediment basins designated to be converted to detention basins shall be improved and stabilized.

#### IV. IMPLEMENTATION SEQUENCE

The owner or prime contractor shall prepare an orderly listing which coordinates the timing of all major land-disturbing activities together with the necessary erosion and sedimentation control measures planned for the project. For the purposes of this

project, the Implementation Sequence is described below:

1. *Construct Temporary Construction Entrance*
2. *Equipment Maintenance and Storage Areas*
3. *Install Silt Fence (down slope of demo area)*
4. *Site Clearing*
5. *Site Grading*
6. *Storm Drainage Installation with Inlet/Outlet Protection*
7. *Plant Temporary Vegetation on Disturbed Areas*
8. *Install Utilities*
9. *Complete Concrete Paving*
10. *Building and Sidewalk Construction*
11. *Fine Grading*
12. *Apply Topsoil to Disturbed Areas and Plant Permanent Vegetation and Ditch Treatment as needed (Sod, Concrete Ditch Paving, Etc.)*
13. *After Site is Stabilized, Remove all Temporary Measures (Silt Fence, Hay Bales, Brush Barriers, Construction Entrance, Etc.)*

## V. INSPECTIONS, MAINTENANCE AND REPORTING

- A. Inspections:** Inspections of the best management practices and other storm water pollution prevention plan requirements shall be performed by the contractor or owner as follows:
1. At least once weekly.
  2. After the occurrence of all rain events significant enough to produce a discharge.
  3. As often as necessary to insure that appropriate erosion and sediment controls have been properly constructed and maintained.
- B. Maintenance:** Any deficiencies noted during the inspection process should be repaired or remedied within 24 hours. Remove sediment from structural controls the basin, inlet protection devices and silt fences when accumulated sediment reaches one-third (1/3) to one-half (1/2) of the height of the control has reach 50 percent capacity. Replace non-functional silt fence. Maintain all vegetated areas to provide proper ground cover; reseed, fertilize and mulch as needed to minimize erosions and sedimentation.
- C. Reporting:** The owner and/or contractor must inspect, as described in above

section, and maintain controls and keep all reports on file noting damages or deficiencies and corrective measures, using the form provided in the appendix of this plan. No reports should be submitted to the Mississippi Department of Environmental Quality unless specifically requested. As previously stated, all records, reports, and information resulting from activities required by this plan and your permit should be retained for at least three years from the date of the CNOI, inspection or report.

A rain gauge is recommended to be placed in a central location on the site and used to obtain rainfall amounts. This information will assist with proper completion of the inspection report.

#### **D. T-20 STAFF TRAINING REQUIREMENTS**

Each operator, or group of multiple operators, must assemble a “stormwater team” to carry out compliance activities associated with the requirements in this permit

Prior to the commencement of construction activities, the permittee must ensure that the following personnel on the stormwater team understand the requirements of this permit and their specific responsibilities with respect to those requirements:

- (1) Personnel who are responsible for the design, installation, maintenance, and/or repair of stormwater controls (including pollution prevention controls);
- (2) Personnel responsible for the application and storage of treatment chemicals (if applicable)
- (3) Personnel who are responsible for conducting inspections as required in ACT6, S-5; and
- (4) Personnel who are responsible for taking corrective actions as required in ACT6, S-2.

The permittee is responsible for ensuring that all activities on the site comply with the requirements of this permit. The permittee is not required to provide or document formal training for subcontractors or other outside service providers, but the permittee must ensure that such personnel understand any requirements of this permit that may be affected by the work they are subcontracted to perform.

At a minimum, members of the stormwater team must be trained to understand the following if related to the scope of their job duties (e.g., only personnel responsible for conducting inspections need to understand how to conduct inspections):

The permit deadlines associated with installation, maintenance, and removal of stormwater controls and with stabilization;

The location of all stormwater controls on the site required by this permit and how they are to be maintained;

The proper procedures to follow with respect to the permit’s pollution prevention requirements; and

When and how to conduct inspections, record applicable findings, and take corrective actions.

Each member of the stormwater team must have easy access to an electronic or paper copy of applicable portions of this permit, the most updated copy of the SWPPP, and other relevant documents or information that must be kept with the SWPPP.

#### **T-21 STAFF TRAINING DOCUMENTATION**

Staff Training conducted to meet the requirements of this ACT shall be documented. Training records shall include employee's name, date of training, brief content/nature of training, and the employee's signature acknowledging training was received. Staff training associated with this permit may be documented on the Employee Training Log that is provided on the MDEQ website at [www.mdeq.ms.gov/construction-stormwater/](http://www.mdeq.ms.gov/construction-stormwater/). The permittee may use an alternative form to record this information, so long as it includes all of the information on the above referenced form. Employee training documentation shall be maintained on-site with the SWPPP and made available to MDEQ personnel for inspection upon request.

## **VI. REVISIONS**

The SWPPP will be kept current by the company representative and will be revised as changes in site conditions warrant. The company representative may notify the SWPPP developer for assistance when necessary. Factors that would compel the SWPPP to be modified include:

- Significant inadequacies revealed by routine inspections;
- Changes in identified sources, non-storm water discharges, or non-storm water solid wastes; or
- MDEQ or local agency notification that the plan does not meet one or more of the minimum requirements.
- An increase in the scope of the project outside of the original plan.



## APPENDIX A

### VEGETATIVE SEEDING RATES FOR EROSION CONTROL

SPECIES	RATE/ACRE	DATE
* Pensacola Bahia	40#	Mar. 1 - July 15 Sept. 1- Nov. 30
Hulled Common Bermuda	15#	Mar. 1 - July 15 Sept. 1 – Nov. 30
Centipede	4#	Mar. 1 - July 15
** Browntop Millet	40#	Apr. 1 – Aug. 15
** Cereal Rye	90#	Nov. 15 – Dec. 15
Carpet Grass	15#	Mar. 1 - July 15
Creeping Red Fescue	30#	Sept. 1 - Nov. 30
Pensacola Bahia	30#	Sept. 1 – Nov. 15
Un-hulled Common Bermuda	10#	Sept 1 – Oct. 30
PLUS		
** Wheat	90#	Sept. 1 – Nov. 30
** Ryegrass	60#	Sept. 1 – Nov. 30
** Crimson Clover	25#	Sept. 1 – Nov. 30

- 
- \* Not For Use In Residential Subdivisions
  - \*\* Temporary Cover to be followed or mixed with a perennial
  - \*\*\* Fertilizer (13-13-13); Use 400# /Ac. on Crimson Clover

#### MULCH

Hay or Wheat Straw	2 tons	After Seeding
--------------------	--------	---------------

#### FERTILIZER

*** 13-13-13	600 #	Before Seeding
Lime	2 tons	Before Seeding

A current soil analysis recommendation may be substituted.

Desired pH range = 6.0 - 7.0 for all grasses

#### SEED BED PREPARATION

Slope all banks to a minimum of 3:1. Flatter if possible

After shaping and smoothing, pulverize soil to depth of 6 inches and harrow. Lime and fertilizer can be incorporated during seed bed preparation.

## **APPENDIX B**

### **Large Construction Forms Package**



AI: 86224

MSR109256

Rec'd via email:  
04/10/2024

MISSISSIPPI DEPARTMENT OF  
ENVIRONMENTAL QUALITY

## LARGE CONSTRUCTION NOTICE OF INTENT (LCNOI) FOR COVERAGE UNDER THE LARGE CONSTRUCTION STORM WATER GENERAL NPDES PERMIT

### INSTRUCTIONS

The Large Construction Notice of Intent (LCNOI) is for coverage under the Large Construction General Permit for land disturbing activities of five (5) acres or greater; or for land disturbing activities, which are part of a larger common plan of development or sale that are initially less than five (5) acres but will ultimately disturb five (5) or more acres. Applicant must be the owner or operator. For construction activities, the operator is typically the prime contractor. The owner(s) of the property and the prime contractor associated with regulated construction activity on the property have joint and severable responsibility for compliance with the Large Construction Storm Water General Permit MSR10.

If the company seeking coverage is a corporation, a limited liability company, a partnership, or a business trust, attach proof of its registration with the Mississippi Secretary of State and/or its Certificate of Good Standing. This registration or Certificate of Good Standing must be dated within twelve (12) months of the date of the submittal of this coverage form. Coverage will be issued in the company name as it is registered with the Mississippi Secretary of State.

Completed LCNOIs should be filed at least thirty (30) days prior to the commencement of construction. Discharge of storm water from large construction activities without written notification of coverage is a violation of state law.

Submittals with this LCNOI must include:

- A site-specific Storm Water Pollution Prevention Plan (SWPPP) developed in accordance with ACT5 of the General Permit
- A detailed site-specific scaled drawing showing the property layout and the features outlined in ACT5 of the General Permit
- A United States Geological Survey (USGS) quadrangle map or photocopy, extending at least one-half mile beyond the facility property boundaries with the site location and outfalls outlined or highlighted. The name of the quadrangle map must be shown on all copies. Quadrangle maps can be obtained from the MDEQ, Office of Geology at 601-961-5523.

Additional submittals may include the following, if applicable:

- Appropriate Section 404 documentation from U.S. Army Corps of Engineers
- Appropriate documentation concerning future disposal of sanitary sewage and sewage collection system construction
- Appropriate documentation from the MDEQ Office of Land & Water concerning dam construction and low flow requirements
- Approval from County Utility Authority in Hancock, Harrison, Jackson, Pearl River and Stone Counties
- Antidegradation report for disturbance within Waters of the State

ALL QUESTIONS MUST BE ANSWERED (Answer "NA" if the question is not applicable)

O.C

APPLICANT IS THE:  OWNER  PRIME CONTRACTOR

**OWNER CONTACT INFORMATION**

OWNER CONTACT PERSON: \_\_\_\_\_  
OWNER COMPANY LEGAL NAME: \_\_\_\_\_  
OWNER STREET OR P.O. BOX: \_\_\_\_\_  
OWNER CITY: \_\_\_\_\_ STATE: \_\_\_\_\_ ZIP: \_\_\_\_\_  
OWNER PHONE #: (\_\_\_\_) \_\_\_\_\_ OWNER EMAIL: \_\_\_\_\_

**PREPARER CONTACT INFORMATION**

IF NOI WAS PREPARED BY SOMEONE OTHER THAN THE APPLICANT

CONTACT PERSON: \_\_\_\_\_  
COMPANY LEGAL NAME: \_\_\_\_\_  
STREET OR P.O. BOX: \_\_\_\_\_  
CITY: \_\_\_\_\_ STATE: \_\_\_\_\_ ZIP: \_\_\_\_\_  
PHONE # ( ) \_\_\_\_\_ EMAIL: \_\_\_\_\_

**PRIME CONTRACTOR CONTACT INFORMATION**

PRIME CONTRACTOR CONTACT PERSON: \_\_\_\_\_  
PRIME CONTRACTOR COMPANY LEGAL NAME: \_\_\_\_\_  
PRIME CONTRACTOR STREET OR P.O. BOX: \_\_\_\_\_  
PRIME CONTRACTOR CITY: \_\_\_\_\_ STATE: \_\_\_\_\_ ZIP: \_\_\_\_\_  
PRIME CONTRACTOR PHONE #: (\_\_\_\_) \_\_\_\_\_ PRIME CONTRACTOR EMAIL: \_\_\_\_\_

**FACILITY SITE INFORMATION**

FACILITY SITE NAME: \_\_\_\_\_  
FACILITY SITE ADDRESS (If the physical address is not available, please indicate the nearest named road. For linear projects indicate the beginning of the project and identify all counties the project traverses.)  
STREET: \_\_\_\_\_  
CITY: \_\_\_\_\_ STATE: \_\_\_\_\_ COUNTY: \_\_\_\_\_ ZIP: \_\_\_\_\_  
FACILITY SITE TRIBAL LAND ID (N/A If not applicable): \_\_\_\_\_  
LATITUDE: \_\_\_ degrees \_\_\_ minutes \_\_\_ seconds LONGITUDE: \_\_\_ degrees \_\_\_ minutes \_\_\_ seconds  
LAT & LONG DATA SOURCE (GPS (Please GPS Project Entrance/Start Point) or Map Interpolation): \_\_\_\_\_  
TOTAL ACREAGE THAT WILL BE DISTURBED <sup>1:9</sup>\* \_\_\_\_\_

**IS THIS PART OF A LARGER COMMON PLAN OF DEVELOPMENT?** YES  NO

**IF YES, NAME OF LARGER COMMON PLAN OF DEVELOPMENT:** \_\_\_\_\_  
**AND PERMIT COVERAGE NUMBER: MSR10** \_\_\_\_\_

**ESTIMATED CONSTRUCTION PROJECT START DATE:** \_\_\_\_\_  
 YYYY-MM-DD

**ESTIMATED CONSTRUCTION PROJECT END DATE:** \_\_\_\_\_  
 YYYY-MM-DD

**DESCRIPTION OF CONSTRUCTION ACTIVITY:** \_\_\_\_\_

**PROPOSED DESCRIPTION OF PROPERTY USE AFTER CONSTRUCTION HAS BEEN COMPLETED:**  
 \_\_\_\_\_

**SIC Code:** \_\_\_\_\_ **NAICS Code** \_\_\_\_\_

**NEAREST NAMED RECEIVING STREAM:** \_\_\_\_\_

**IS RECEIVING STREAM ON MISSISSIPPI'S 303(d) LIST OF IMPAIRED WATER BODIES? (The 303(d) list of impaired waters and TMDL stream segments may be found on MDEQ's web site: [http://www.deq.state.ms.us/MDEQ.nsf/page/TWB\\_Total\\_Maximum\\_Daily\\_Load\\_Section](http://www.deq.state.ms.us/MDEQ.nsf/page/TWB_Total_Maximum_Daily_Load_Section))** YES  NO

**HAS A TMDL BEEN ESTABLISHED FOR THE RECEIVING STREAM SEGMENT?** YES  NO

**FOR WHICH POLLUTANT:**

**ARE THERE RECREATIONAL STREAMS, PRIVATE/PUBLIC PONDS OR LAKES WITHIN 1/2 MILE DOWNSTREAM OF PROJECT BOUNDARY THAT MAY BE IMPACTED BY THE CONSTRUCTION ACTIVITY?** YES  NO

**EXISTING DATA DESCRIBING THE SOIL (for linear projects please describe in SWPPP):**  
 \_\_\_\_\_

**WILL FLOCCULANTS BE USED TO TREAT TURBIDITY IN STORM WATER?** YES  NO

**IF YES, INDICATE THE TYPE OF FLOCCULANT.**  ANIONIC POLYACRYLIMIDE (PAM)  
 OTHER \_\_\_\_\_

**IF YES, DOES THE SWPPP DESCRIBE THE METHOD OF INTRODUCTION, THE LOCATION OF INTRODUCTION AND THE LOCATION OF WHERE FLOCCULATED MATERIAL WILL SETTLE?**

**IS A SDS SHEET INCLUDED FOR THE FLOCCULATE?** YES  NO

**WILL THERE BE A 50 FT BUFFER BETWEEN THE PROJECT DISTURBANCE AND THE WATERS OF THE STATE?** YES  NO

**IF NOT, PROVIDE EQUIVALENT CONTROL MEASURES IN THE SWPPP.**

<sup>1</sup>Acreage for subdivision development includes areas disturbed by construction of roads, utilities and drainage. Additionally, a housesite of at least 10,000 ft<sup>2</sup> per lot (entire lot, if smaller) shall be included in calculating acreage disturbed.

**DOCUMENTATION OF COMPLIANCE WITH OTHER REGULATIONS/REQUIREMENTS**  
 COVERAGE UNDER THIS PERMIT WILL NOT BE GRANTED UNTIL ALL OTHER REQUIRED  
 MDEQ PERMITS AND APPROVALS ARE SATISFACTORILY ADDRESSED

**IS LCNOI FOR A FACILITY THAT WILL REQUIRE OTHER PERMITS?** YES  NO

**IF YES, CHECK ALL THAT APPLY:**  AIR  HAZARDOUS WASTE  PRETREATMENT  
 WATER STATE OPERATING  INDIVIDUAL NPDES  OTHER: \_\_\_\_\_

**IS THE PROJECT REROUTING, FILLING OR CROSSING A WATER CONVEYANCE OF ANY KIND?** (If yes, contact the U.S. Army Corps of Engineers' Regulatory Branch for permitting requirements.) YES  NO

**IF THE PROJECT REQUIRES A CORPS OF ENGINEER SECTION 404 PERMIT, PROVIDE APPROPRIATE DOCUMENTATION THAT:**

- The project has been approved by individual permit, or
- The work will be covered by a nationwide permit and NO NOTIFICATION to the Corps is required, or
- The work will be covered by a nationwide or general permit and NOTIFICATION to the Corps is required

---

**IS THE PROJECT REROUTING, FILLING OR CROSSING A STATE WATER CONVEYANCE OF ANY KIND?** (If yes, please provide an antidegradation report.) YES  NO

**IS A LAKE REQUIRING THE CONSTRUCTION OF A DAM BEING PROPOSED?** (If yes, provide appropriate approval documentation from MDEQ Office of Land and Water, Dam Safety.) YES  NO

**IF THE PROJECT IS A SUBDIVISION OR A COMMERCIAL DEVELOPMENT, HOW WILL SANITARY SEWAGE BE DISPOSED?** Check one of the following and attach the pertinent documents.


- Existing Municipal or Commercial System. Please attach plans and specifications for the collection system and the associated "Information Regarding Proposed Wastewater Projects" form or approval from County Utility Authority in Hancock, Harrison, Jackson, Pearl River and Stone Counties. If the plans and specifications can not be provided at the time of LCNOI submittal, MDEQ will accept written acknowledgement from official(s) responsible for wastewater collection and treatment that the flows generated from the proposed project can and will be transported and treated properly. The letter must include the estimated flow.
- Collection and Treatment System will be Constructed. Please attach a copy of the cover of the NPDES discharge permit from MDEQ or indicate the date the application was submitted to MDEQ (Date: \_\_\_\_\_.)
- Individual Onsite Wastewater Disposal Systems for Subdivisions Less than 35 Lots. Please attach a copy of the Letter of General Acceptance from the Mississippi State Department of Health or certification from a registered professional engineer that the platted lots should support individual onsite wastewater disposal systems.
- Individual Onsite Wastewater Disposal Systems for Subdivisions Greater than 35 Lots. A determination of the feasibility of installing a central sewage collection and treatment system must be made by MDEQ. A copy of the response from MDEQ concerning the feasibility study must be attached. If a central collection and wastewater system is not feasible, then please attach a copy of the Letter of General Acceptance from the State Department of Health or certification from a registered professional engineer that the platted lots should support individual onsite wastewater disposal systems.

**INDICATE ANY LOCAL STORM WATER ORDINANCE (I.E. MS4) WITH WHICH THE PROJECT MUST COMPLY:**

\_\_\_\_\_

\_\_\_\_\_

I certify under penalty of law that this document and all attachments were prepared under my direction or supervision in accordance with a system designed to assure that qualified personnel properly gathered and evaluated the information submitted. Based on my inquiry of the person or persons who manage the system, or those persons directly responsible for gathering the information, the information submitted is, to the best of my knowledge and belief, true, accurate and complete. I am aware that there are significant penalties for submitting false information, including the possibility of fine and imprisonment for knowing violations.



Signature of Applicant (owner or prime contractor)

2/28/24

Date Signed

Michael Rozier

Printed Name<sup>1</sup>

President

Title

<sup>1</sup>This application shall be signed as follows:

- For a corporation, by a responsible corporate officer.
- For a partnership, by a general partner.
- For a sole proprietorship, by the proprietor.

For a municipal, state or other public facility, by principal executive officer, mayor, or ranking elected official

Please submit the LCNOI form to:

Chief, Environmental Permits Division  
MS Department of Environmental Quality, Office of Pollution Control  
P.O. Box 2261  
Jackson, Mississippi 39225

Electronically:

<https://www.mdeq.ms.gov/construction-stormwater/>

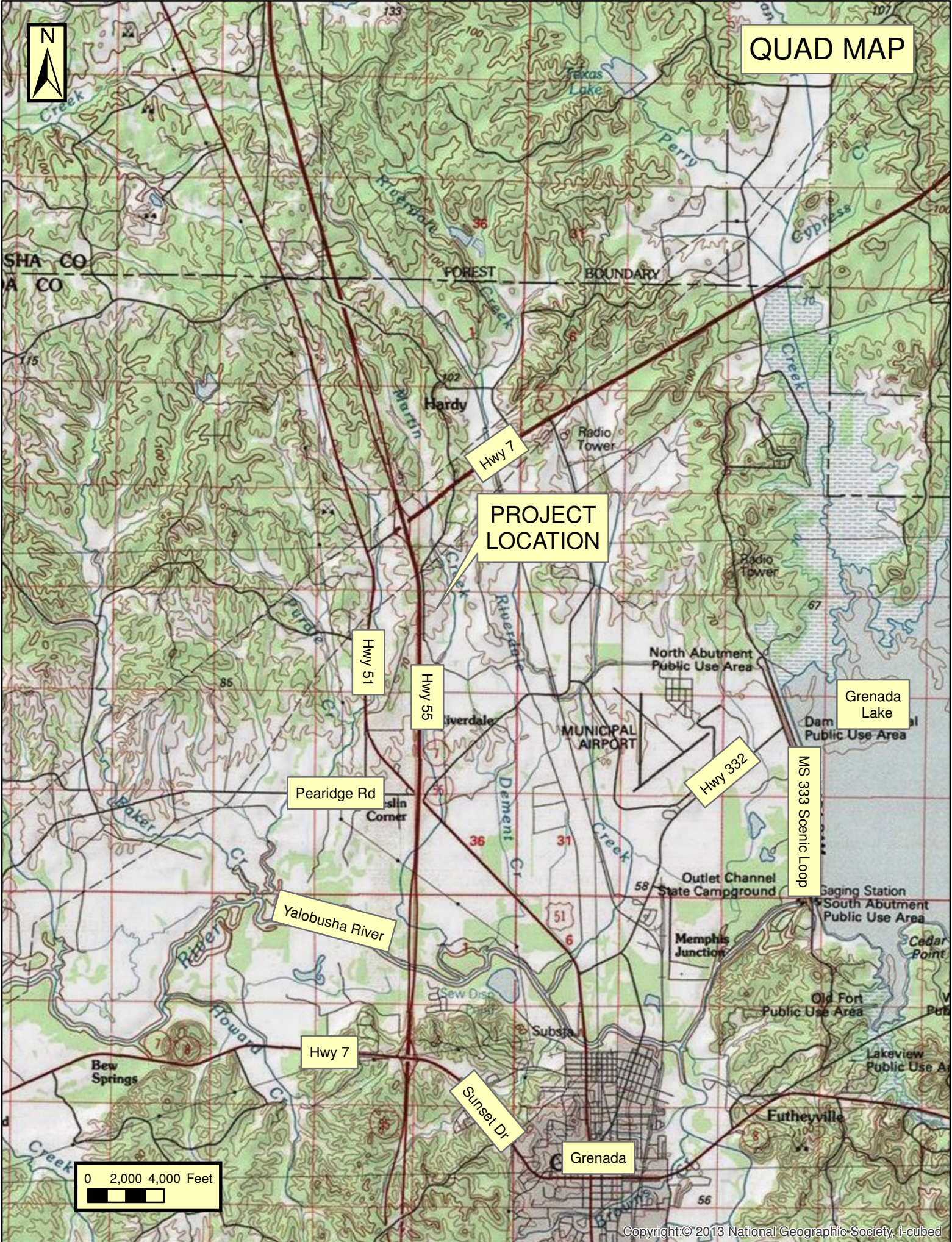
Revised 3/23/22

## **APPENDIX C**

### **U.S.G.S. Quadrangle and Aerial Map (With Project Location)**



# QUAD MAP



PROJECT LOCATION

Grenada Lake

MS 333 Scenic Loop

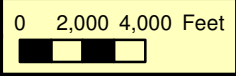
Pearidge Rd

Yalobusha River

Hwy 7

Sunset Dr

Grenada



AERIAL MAP



PROJECT  
LOCATION

Hwy 7

Hwy 51

Hwy 55

Pearidge Rd

Hwy 332

Grenada  
Lake

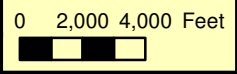
MS 333 Scenic Loop

Yalobusha River

Hwy 7

Sunset Dr

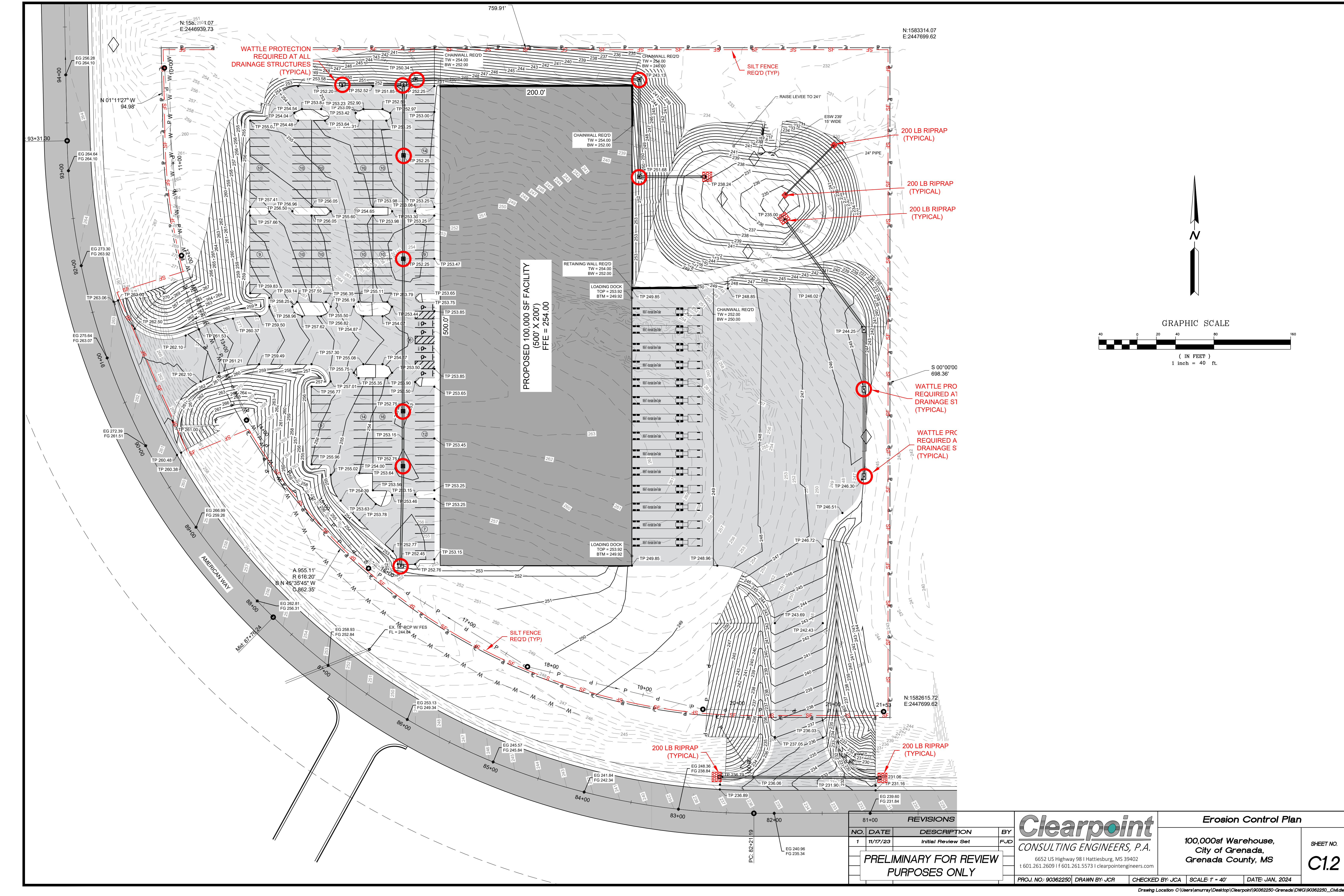
Grenada



Source: Esri, Maxar, Earthstar Geographics, and the GIS User Community, Copyright © 2013 National Geographic Society, i-cubed

**APPENDIX D**

**Erosion Control Plan**



WATTLE PROTECTION  
REQUIRED AT ALL  
DRAINAGE STRUCTURES  
(TYPICAL)

SILT FENCE  
REQ'D (TYP)

200 LB RIPRAP  
(TYPICAL)

200 LB RIPRAP  
(TYPICAL)

200 LB RIPRAP  
(TYPICAL)

PROPOSED 100,000 SF FACILITY  
(500' X 200')  
FFE = 254.00

RETAINING WALL REQ'D  
TW = 254.00  
BW = 252.00

LOADING DOCK  
TOP = 253.92  
BTM = 249.92

LOADING DOCK  
TOP = 253.92  
BTM = 249.92

LOADING DOCK  
TOP = 253.92  
BTM = 249.92

LOADING DOCK  
TOP = 253.92  
BTM = 249.92

LOADING DOCK  
TOP = 253.92  
BTM = 249.92

LOADING DOCK  
TOP = 253.92  
BTM = 249.92

LOADING DOCK  
TOP = 253.92  
BTM = 249.92

LOADING DOCK  
TOP = 253.92  
BTM = 249.92

LOADING DOCK  
TOP = 253.92  
BTM = 249.92

LOADING DOCK  
TOP = 253.92  
BTM = 249.92

LOADING DOCK  
TOP = 253.92  
BTM = 249.92

LOADING DOCK  
TOP = 253.92  
BTM = 249.92

LOADING DOCK  
TOP = 253.92  
BTM = 249.92

LOADING DOCK  
TOP = 253.92  
BTM = 249.92

LOADING DOCK  
TOP = 253.92  
BTM = 249.92

LOADING DOCK  
TOP = 253.92  
BTM = 249.92

LOADING DOCK  
TOP = 253.92  
BTM = 249.92

LOADING DOCK  
TOP = 253.92  
BTM = 249.92

LOADING DOCK  
TOP = 253.92  
BTM = 249.92

LOADING DOCK  
TOP = 253.92  
BTM = 249.92

LOADING DOCK  
TOP = 253.92  
BTM = 249.92

LOADING DOCK  
TOP = 253.92  
BTM = 249.92

LOADING DOCK  
TOP = 253.92  
BTM = 249.92

LOADING DOCK  
TOP = 253.92  
BTM = 249.92

LOADING DOCK  
TOP = 253.92  
BTM = 249.92

LOADING DOCK  
TOP = 253.92  
BTM = 249.92

LOADING DOCK  
TOP = 253.92  
BTM = 249.92

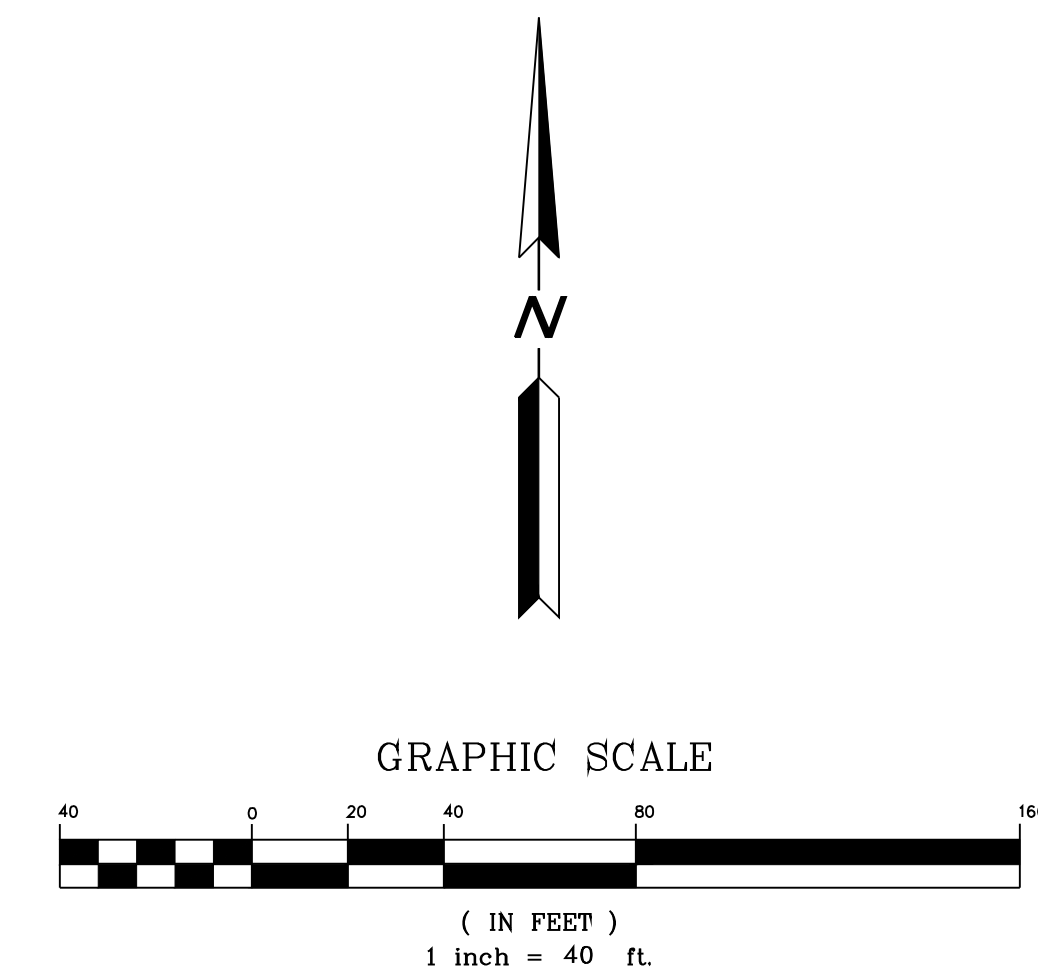
S 00°00'00"  
698.36'

WATTLE PRO  
REQUIRED AT  
DRAINAGE S1  
(TYPICAL)

WATTLE PRO  
REQUIRED AT  
DRAINAGE S  
(TYPICAL)

200 LB RIPRAP  
(TYPICAL)

200 LB RIPRAP  
(TYPICAL)



REVISIONS			
NO.	DATE	DESCRIPTION	BY
1	11/17/23	Initial Review Set	FJD

PRELIMINARY FOR REVIEW  
PURPOSES ONLY

**Clearpoint**  
CONSULTING ENGINEERS, P.A.  
6652 US Highway 98 | Hattiesburg, MS 39402  
t 601.261.2609 | f 601.261.5573 | clearpointengineers.com

**Erosion Control Plan**

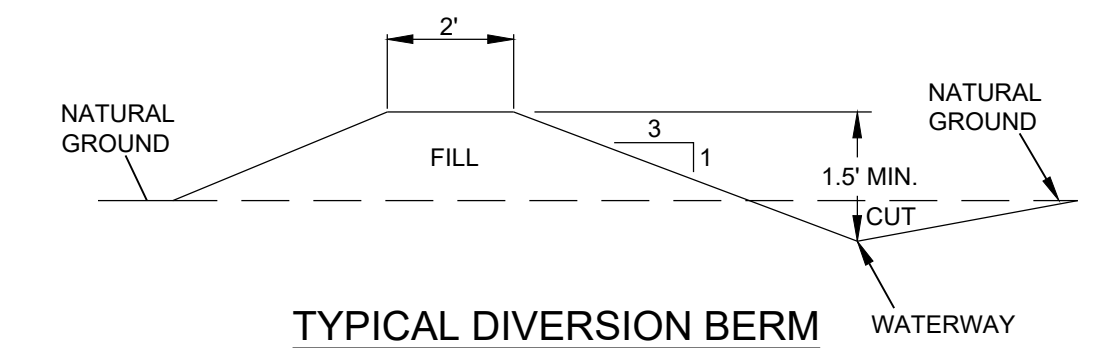
100,000sf Warehouse,  
City of Grenada,  
Grenada County, MS

SHEET NO.  
**C1.2**

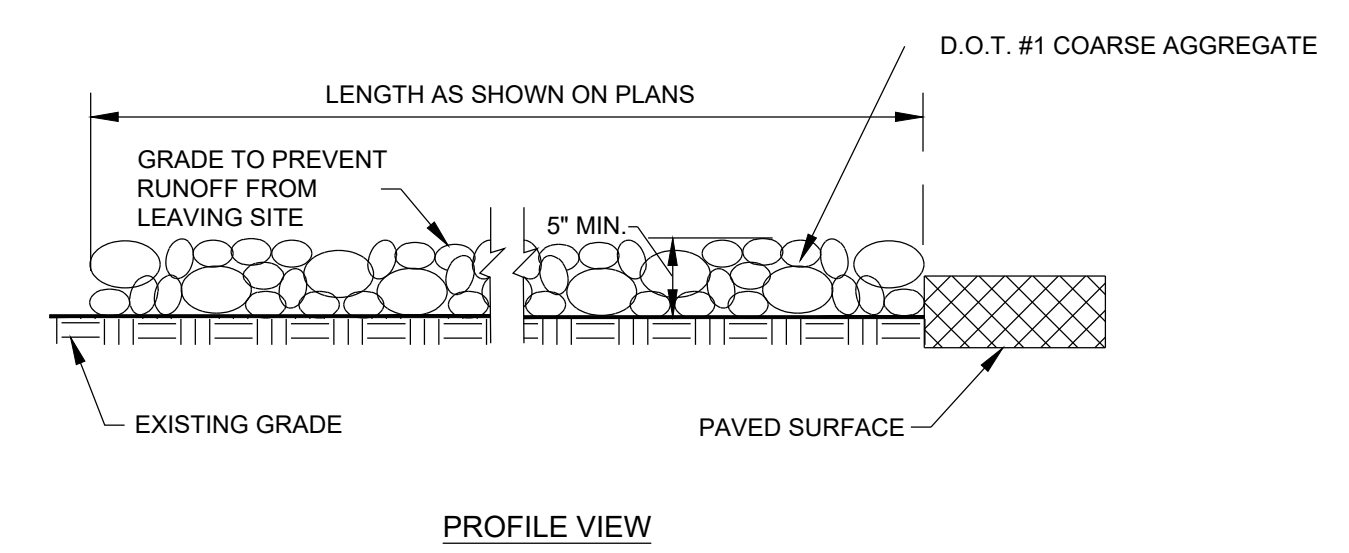
PROJ. NO.: 90362250 | DRAWN BY: JCR | CHECKED BY: JCA | SCALE: 1" = 40' | DATE: JAN, 2024

## **APPENDIX E**

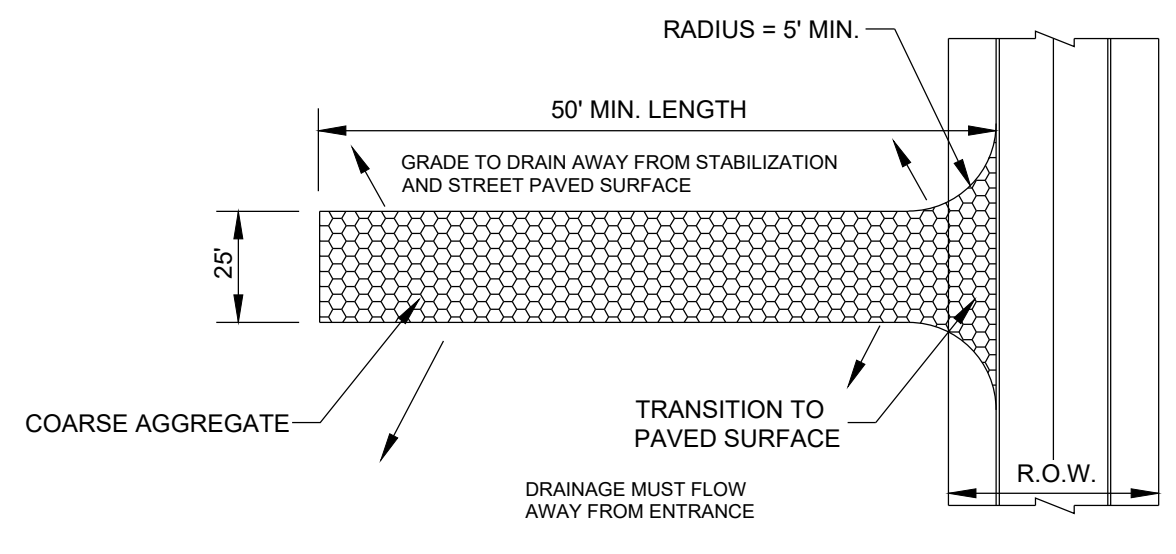
### **Erosion Control Details**



TYPICAL DIVERSION BERM



PROFILE VIEW



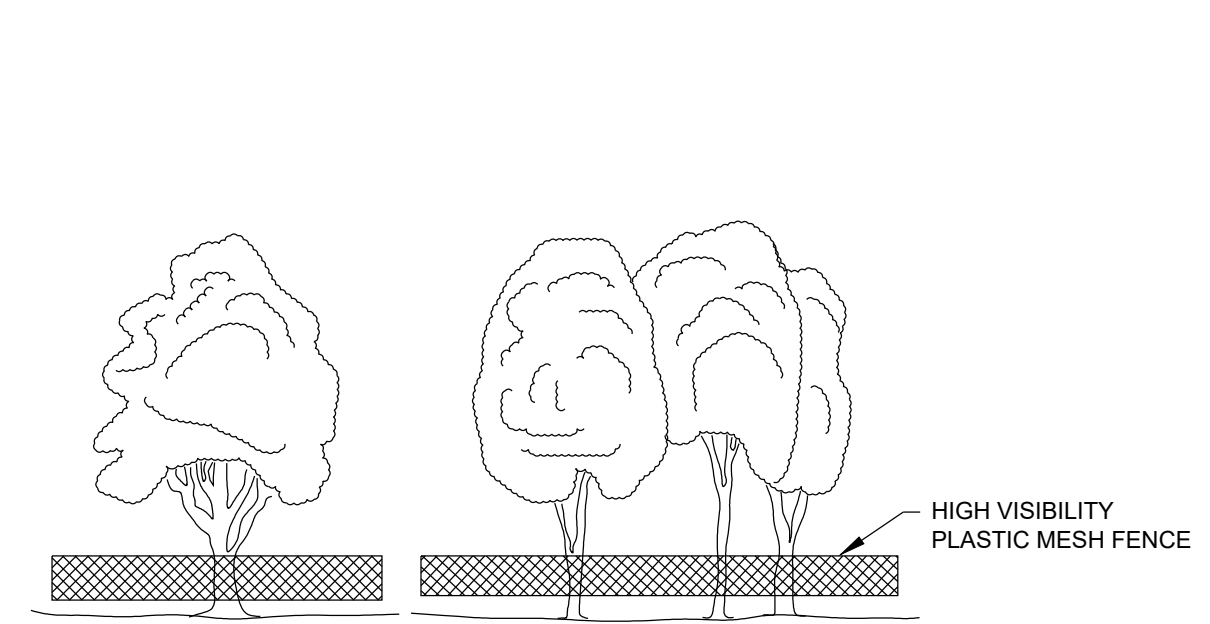
PLAN VIEW

**STABILIZED CONSTRUCTION ENTRANCE**  
GENERAL NOTES:

- STONE SHALL BE 3 TO 5 INCH DIAMETER CRUSHED ROCK OR ACCEPTABLE CRUSHED PORTLAND CEMENT CONCRETE.
- LENGTH SHALL BE SHOWN ON PLANS, WITH A MINIMUM LENGTH OF 30 FEET FOR LOTS WHICH ARE LESS THAN 150 FEET FROM EDGE OF PAVEMENT. THE MINIMUM DEPTH IN ALL OTHER CASES SHALL BE 50 FEET.
- THE THICKNESS SHALL NOT BE LESS THAN 6 INCHES.
- THE WIDTH SHALL BE NO LESS THAN THE FULL WIDTH OF ALL POINTS OF INGRESS OR EGRESS.
- WHEN NECESSARY, VEHICLES SHALL BE CLEANED TO REMOVE SEDIMENT PRIOR TO ENTRANCE ONTO A PUBLIC ROADWAY. WHEN WASHING IS REQUIRED, IT SHALL BE DONE ON AN AREA STABILIZED WITH CRUSHED STONE WITH DRAINAGE FLOWING AWAY FROM BOTH THE STREET AND THE STABILIZED ENTRANCE. ALL SEDIMENT SHALL BE PREVENTED FROM ENTERING ANY STORM DRAIN, DITCH OR WATERCOURSE USING APPROVED METHODS.
- THE ENTRANCE SHALL BE MAINTAINED IN A CONDITION WHICH WILL PREVENT TRACKING OR FLOWING OF SEDIMENT ONTO PAVED SURFACES. THIS MAY REQUIRE PERIODIC TOP DRESSING WITH ADDITIONAL STONE AS CONDITIONS DEMAND. ALL SEDIMENT, SPILLED, DROPPED, WASHED, OR TRACKED ONTO PAVED SURFACES MUST BE REMOVED IMMEDIATELY.
- THE ENTRANCE MUST BE PROPERLY GRADED OR INCORPORATE A DRAINAGE SWALE TO PREVENT RUNOFF FROM LEAVING THE CONSTRUCTION SITE.

FALL OF DITCH (%)	DISTANCE/FEET
0 - 1	100
1 - 2	50
> - 2	25

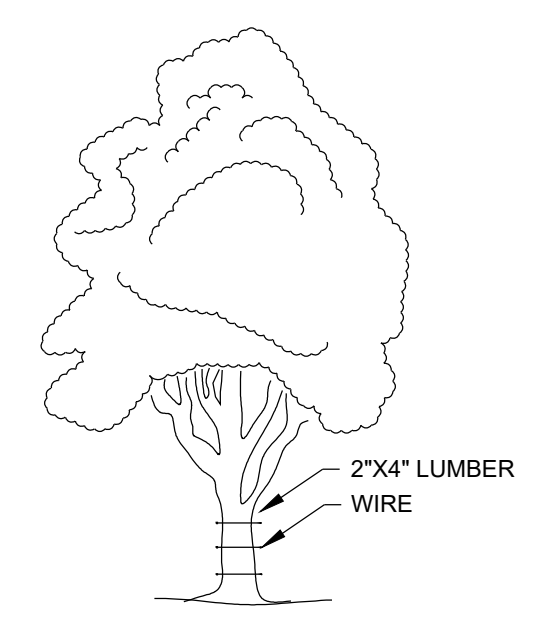
**TEMPORARY CONSTRUCTION ENTRANCE DETAIL**



TREE PROTECTION FENCING

**TREE PROTECTION FENCING NOTES:**

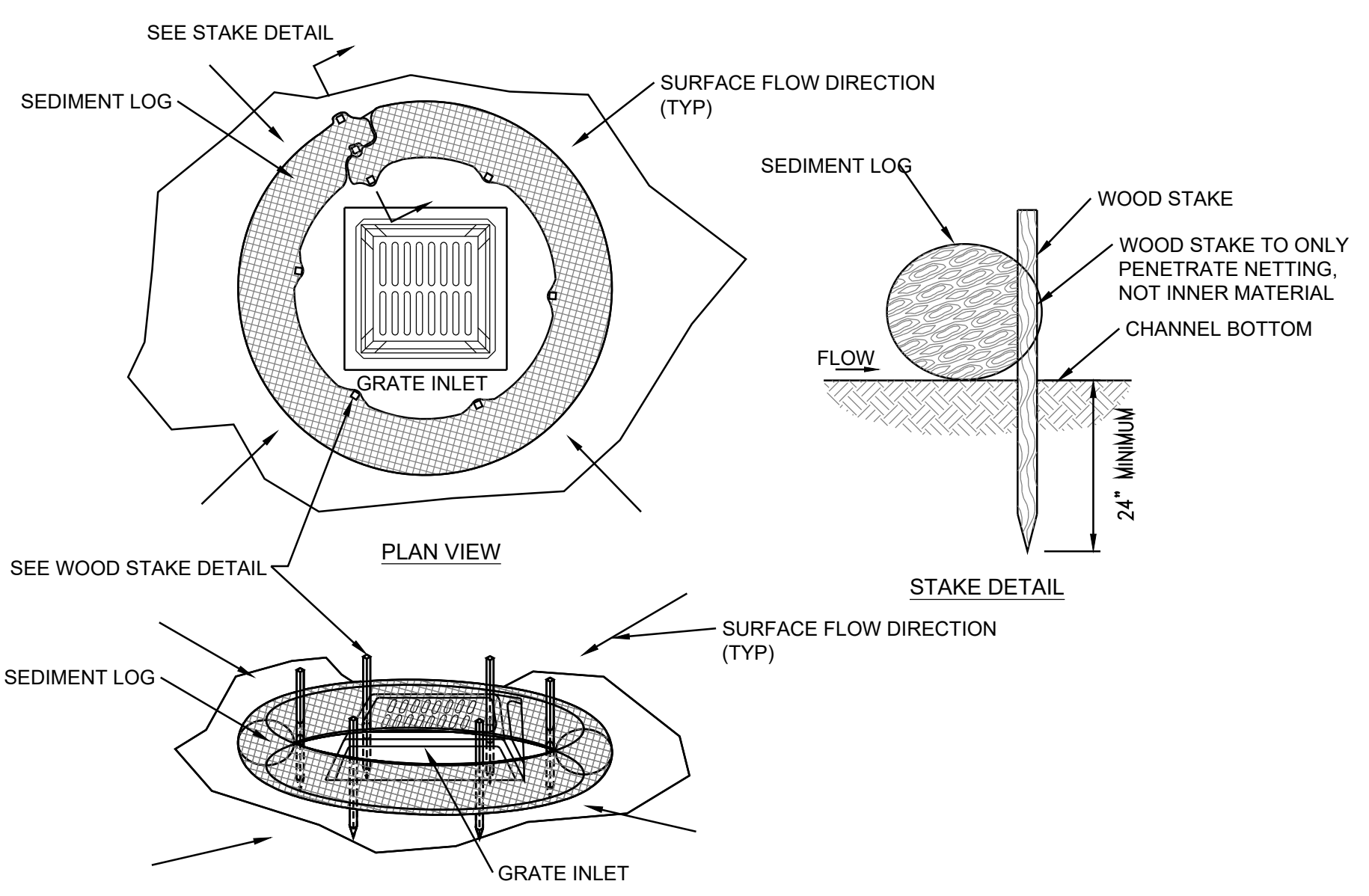
- PROTECTION FENCING SHALL BE ORANGE VINYL CONSTRUCTION FENCING, CHAIN LINK FENCING, SNOW FENCING OR OTHER SIMILAR FENCING AT LEAST (4) HIGH AND SUPPORTED AT A MAXIMUM OF TEN-FOOT (10') INTERVALS BY APPROVED METHODS SUFFICIENT ENOUGH TO KEEP THE FENCE UPRIGHT AND IN PLACE. THE FENCING SHALL BE OF A HIGHLY VISIBLE MATERIAL.
- PRIOR TO CONSTRUCTION THE CONTRACTOR SHALL CONSTRUCT AND MAINTAIN, FOR EACH PROTECTED TREE OR GROUP OF TREES ON A CONSTRUCTION SITE, A PROTECTIVE FENCING WHICH ENCIRCLES THE OUTER LIMITS OF THE CRITICAL ROOT ZONE OF THE TREES TO PROTECT IT FROM CONSTRUCTION ACTIVITY. ALL PROTECTIVE FENCING SHALL BE IN PLACE PRIOR TO COMMENCEMENT OF ANY SITE WORK AND REMAIN IN PLACE UNTIL ALL EXTERIOR WORK HAS BEEN COMPLETED.



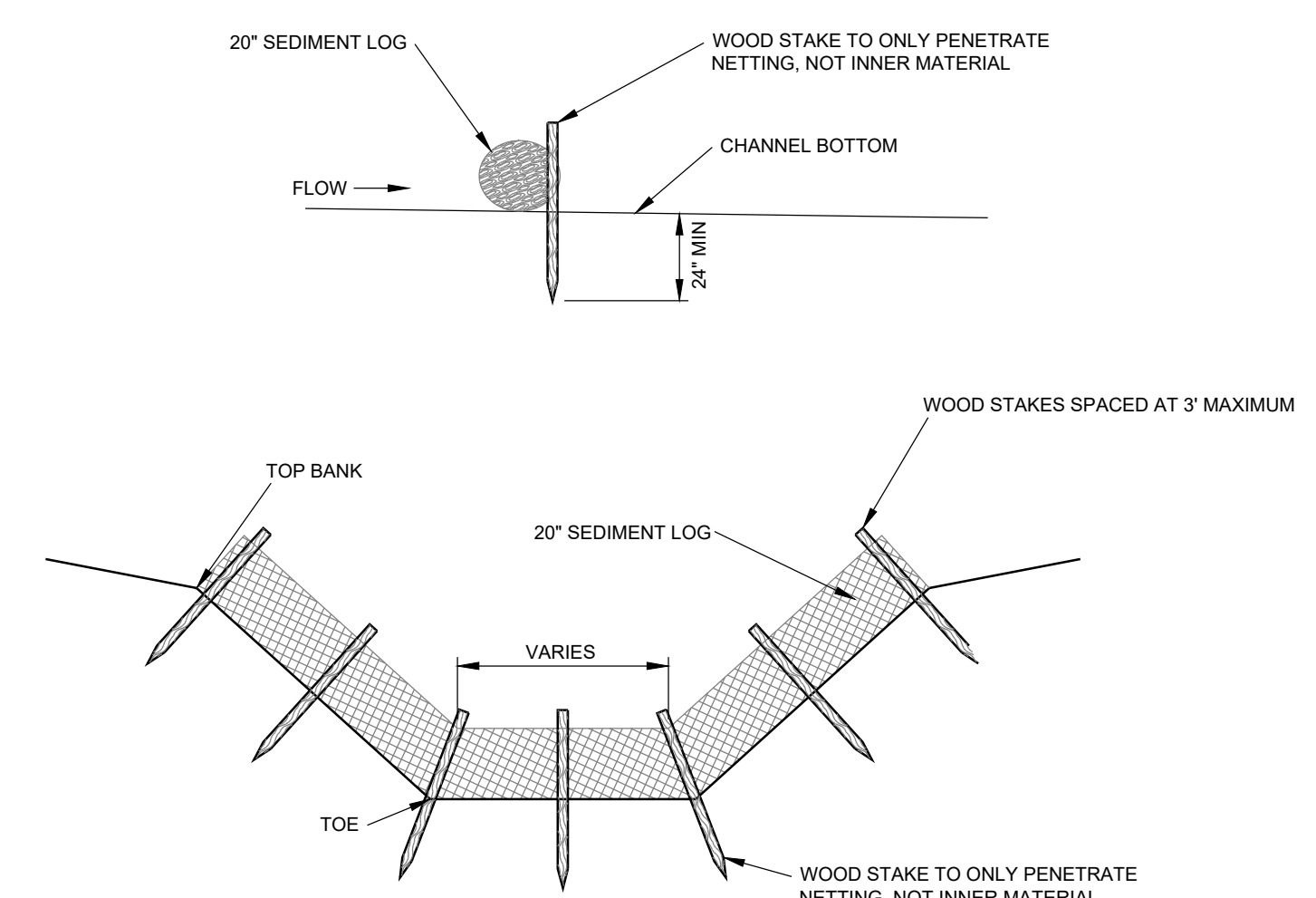
BARK PROTECTION

**BARK PROTECTION NOTES:**

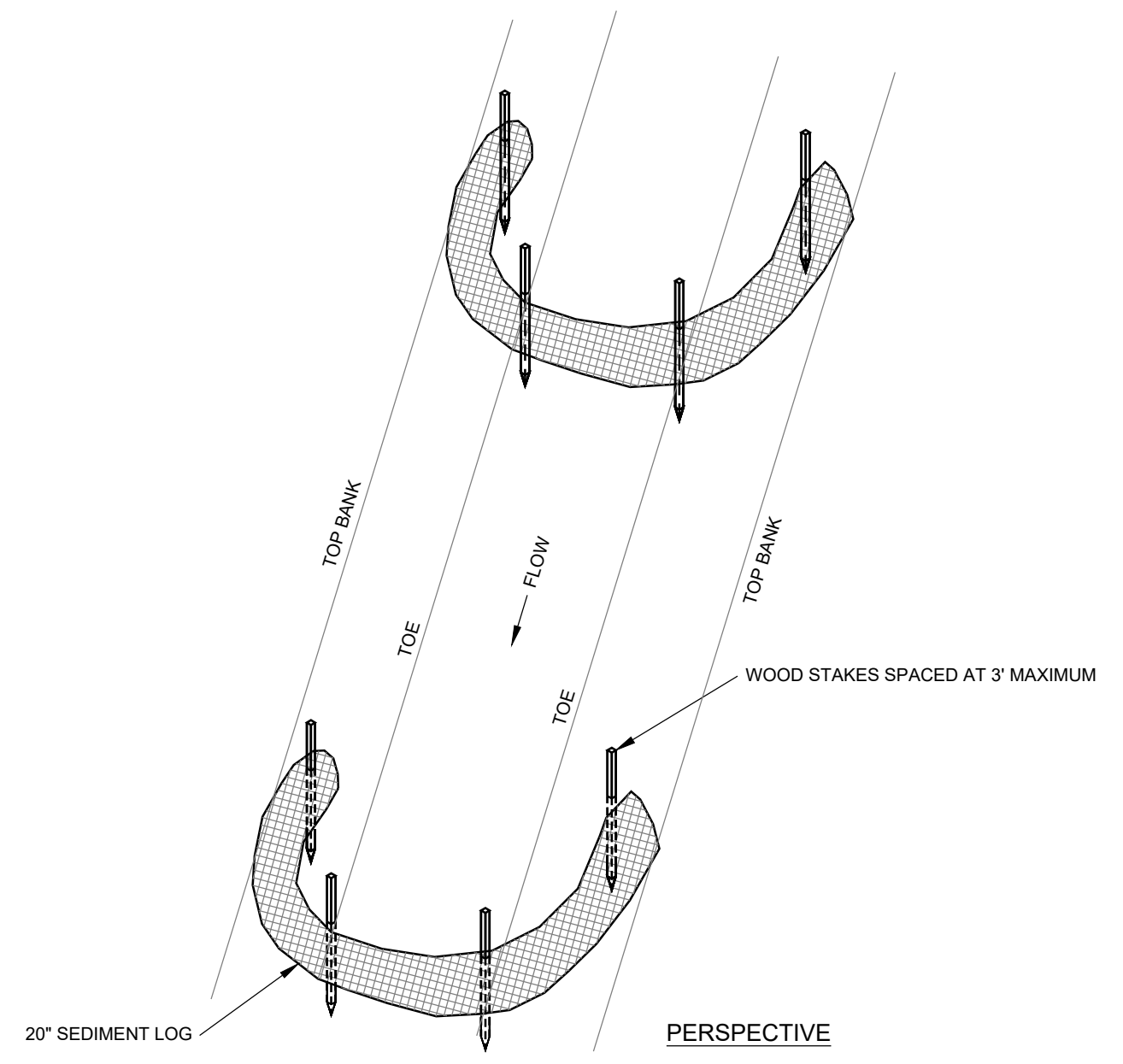
- WHEN TREE REMAINS IN THE IMMEDIATE AREA OF INTENDED AREA OF INTENDED CONSTRUCTION AND TREE MAY BE IN DANGER OF BEING DAMAGED BY CONSTRUCTION EQUIPMENT OR OTHER ACTIVITY, CONTRACTOR SHALL PROTECT THE TREE WITH 2"x4" LUMBER ENCRICLED WITH WIRE OR OTHER MEANS THAT DO NOT DAMAGE THE TREE.



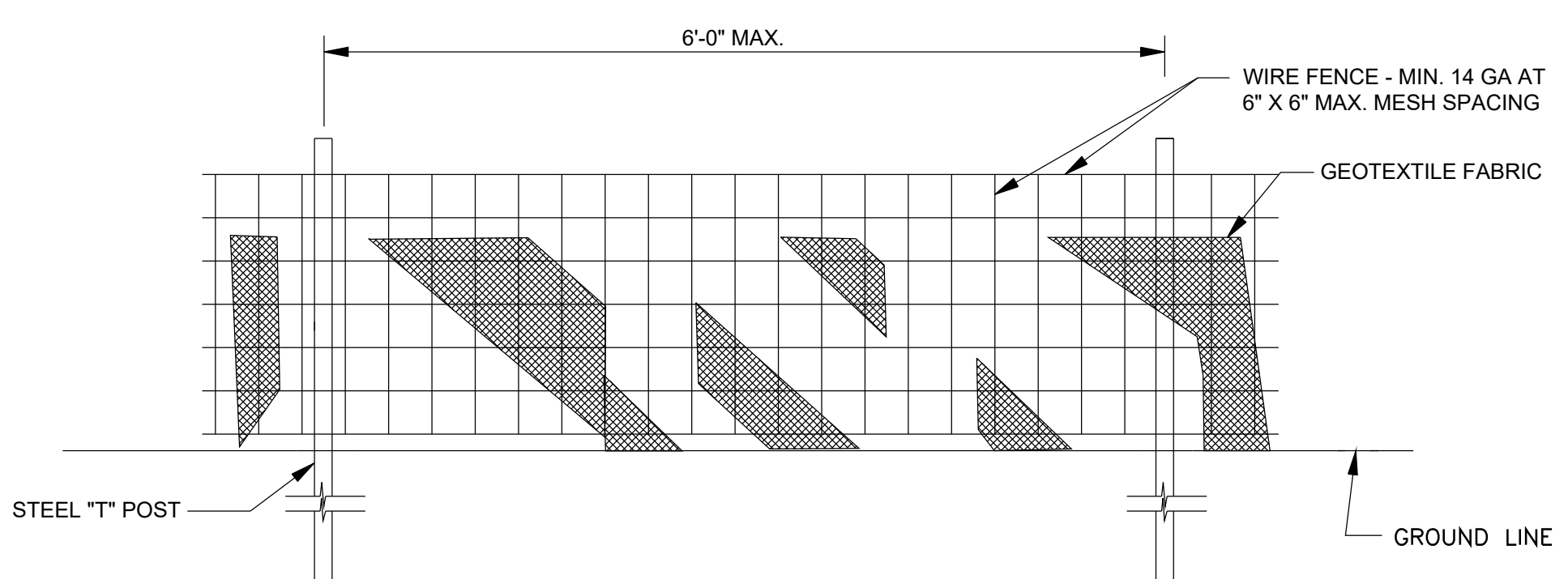
WATTLE INLET PROTECTION DETAIL



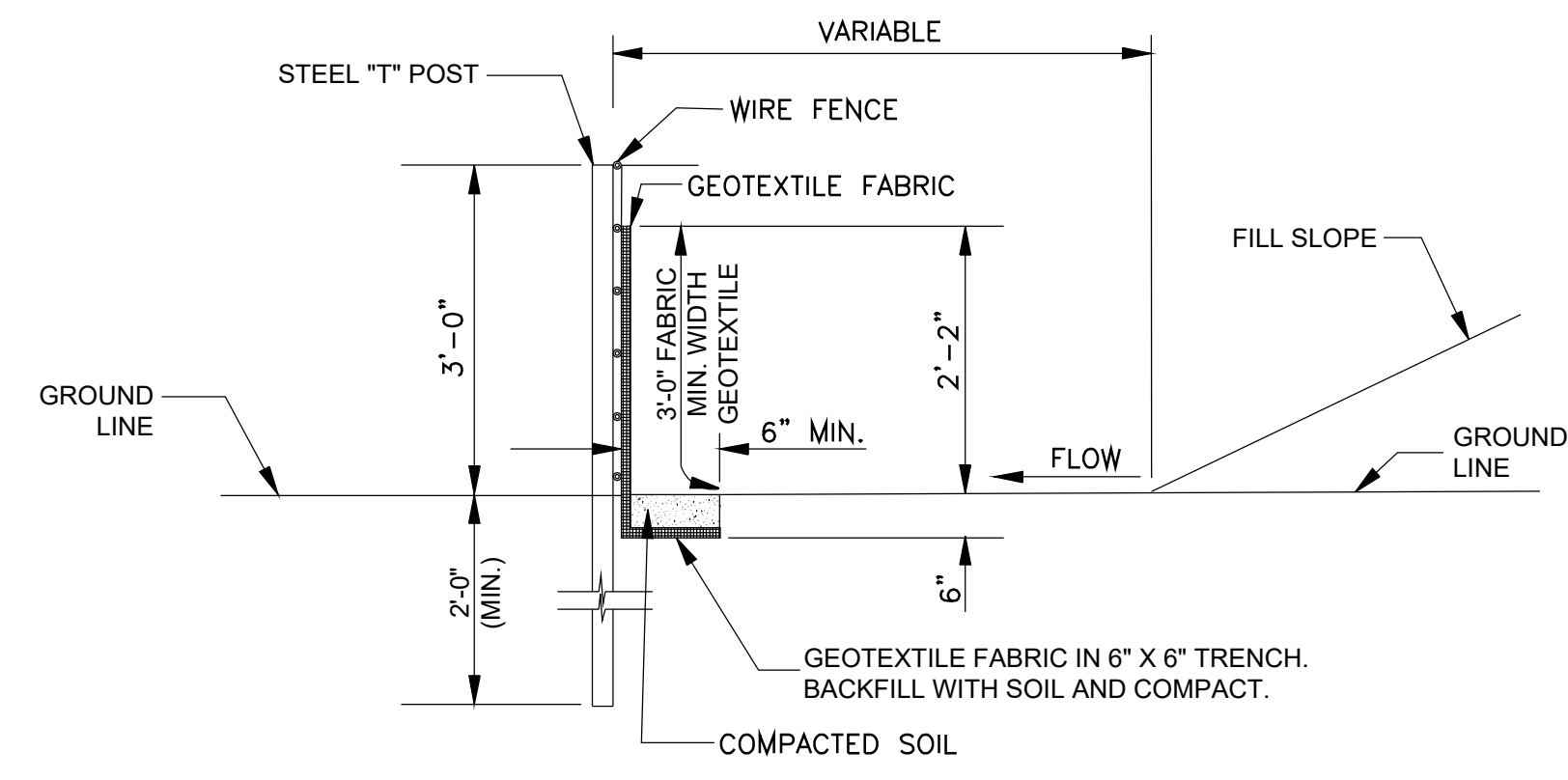
CROSS SECTION



WATTLE DITCH CHECK DETAIL



FRONT ELEVATION



SIDE ELEVATION

TEMPORARY SILT FENCE

- NOTES:
- WIRE FENCE SHALL BE FASTENED SECURELY TO FENCE POSTS WITH WIRE TIES OR STAPLES.
  - GEOTEXTILE FABRIC SHALL BE A MINIMUM OF 36" IN WIDTH AND SHALL BE FASTENED SECURELY TO THE WIRE EVERY 24" AT THE TOP AND MID-SECTION.
  - LOCATE POSTS DOWNSTREAM OF FABRIC FOR ADEQUATE SUPPORT.
  - WHEN TWO SECTIONS OF FILTER CLOTH ADJOIN EACH OTHER, THEY SHALL BE OVERLAPPED BY 6" AND FOLDED.

REVISIONS			
NO.	DATE	DESCRIPTION	BY
1	11/17/23	Initial Review Set	FJD

PRELIMINARY FOR REVIEW  
PURPOSES ONLY

**Clearpoint**  
CONSULTING ENGINEERS, P.A.  
6652 US Highway 98 | Hattiesburg, MS 39402  
t 601.261.2609 | f 601.261.5573 | clearpointengineers.com

**Erosion Control Details**

100,000sf Warehouse,  
City of Grenada,  
Grenada County, MS

SHEET NO.  
**C3.1**

PROJ. NO.: 90362250 | DRAWN BY: JCR | CHECKED BY: JCA | SCALE: 1" = 40' | DATE: JAN., 2024