



DEPARTMENT OF THE ARMY
U.S. ARMY CORPS OF ENGINEERS, MOBILE DISTRICT
P.O. BOX 2288
MOBILE, AL 36628-0001

CESAM-RD-M
PUBLIC NOTICE NO. SAM-2023-00773-CSP

June 21, 2024

JOINT PUBLIC NOTICE
U.S. ARMY CORPS OF ENGINEERS (USACE)

MISSISSIPPI DEPARTMENT OF ENVIRONMENTAL QUALITY
OFFICE OF POLLUTION CONTROL (MDEQ)

MISSISSIPPI DEPARTMENT OF MARINE RESOURCES
DMR23-000727

PROPOSED WETLAND FILL AND IMPACTS FOR EXPANSION OF A
WASTEWATER TREATMENT FACILITY, JACKSON COUNTY, MISSISSIPPI

TO WHOM IT MAY CONCERN: This District has received an application for a Department of the Army (DA) permit pursuant to Section 404 of the Clean Water Act (33 USC 1344). Please communicate this information to interested parties.

APPLICANT: Jackson County Utility Authority
1225 Jackson Avenue
Pascagoula, MS 39567

LOCATION: Wetland associated with Bayou Costapia; on Seaman Road; within Section 19, Township 6 South, Range 8 West; Latitude 30.508447° North and Longitude -88.808275° West; in Jackson County, Mississippi.

PROPOSED WORK: The applicant proposes to impact 102.41 acres of wetlands associated with the expansion of wastewater treatment facility on Seaman Road in Jackson County, Mississippi. The purpose of the project is to modify the existing treatment facility to ensure adequate treatment of wastewater prior to discharge and to provide adequate spray irrigation fields to accommodate the existing and potential increase in wastewater effluent discharge. The total project area is approximately 180 acres in size of which approximately 154 acres have been identified as wetlands. Impacts include temporary fill to approximately 0.0023-acre of pine savannah wetlands for the construction of two (2) bore holes and permanent impacts to 102.41 acres of pine savanna wetlands for the construction of two (2) irrigation spray fields. Construction of the irrigation spray fields includes clearing, grubbing, root raking, and placing a solid wastewater sludge material into the spray fields to be disced into the soil. The applicant is proposing to directional bore 1,800 LF and 1,600 LF of pipeline respectively, to avoid the remaining wetlands and 4 stream/ditch crossings. The applicant proposes to provide in-kind compensatory mitigation through a mitigation bank.

COASTAL ZONE: The applicant has applied for coastal zone (CZ) consistency in accordance with the State Coastal Zone Management Program. On March 22, 2024,

the Mississippi Department of Marine Resources issued CZ consistency certification (DMR23-000727).

WATER QUALITY: The Clean Water Act (CWA) Section 401 Certification Rule (Certification Rule, 40 CFR 121), requires certification for any license or permit that authorizes an activity that may result in a discharge. The applicant is responsible for requesting certification and providing required information to the certifying agency. As of the date of this public notice, the applicant has not submitted a certification request to the Mississippi Department of Environmental Quality (certifying authority).

HISTORIC PROPERTIES: In accordance with Section 106 of the National Historic Preservation Act, and Appendix C of 33 CFR 325, the undertaking defined in this notice is being considered for the potential to affect historic properties. In accordance with Appendix C of 33 CFR 325, the Corps has determined the permit area consists of the entire spray fields. The National Register of Historic Places will be consulted for properties listed, or eligible for listing, in the National Register, which are known to exist and would be affected by the proposed work. The Mobile District is seeking comments regarding the existence, or the potential for existence, of significant cultural and historic properties within the permit area. At this time, the USACE, Mobile District has made no determination regarding potential effects of the project on cultural/historic resources. Further coordination with the State Historic Preservation Officer and/or federally-recognized American Indian tribes will be performed as determined to be appropriate.

ENDANGERED SPECIES: Preliminary review of this application and the U.S. Department of the Interior's List of Endangered and Threatened Wildlife and Plants indicate the following federally-listed species are known or expected to occur within the project area: Mississippi Sandhill Crane (E), Red-Cockaded Woodpecker (E), Black Pine Snake (T), Wood Stork (T), Dusky Gopher Frog (E), Gopher Tortoise (T), and Louisiana Quillwort (E). There is no designated critical habitat within the project action area. At this time, the USACE, Mobile District has made no determination regarding potential effects of the project on the above-listed species. Further coordination with the U.S. Fish and Wildlife Service (USFWS) and NMFS will be performed as determined to be appropriate.

COMMENTS: This public notice is being distributed to all known interested persons in order to assist in developing facts on which a decision by the U.S. Army Corps of Engineers can be based. For accuracy and completeness of the record, all data in support of or in opposition to the proposed work should be submitted in writing setting forth sufficient detail to furnish a clear understanding of the reasons for support or opposition.

The decision whether to issue a permit will be based on an evaluation of the probable impact including cumulative impacts of the proposed activity on the public interest. That decision will reflect the national concern for both protection and utilization of important resources. The benefit which reasonably may be expected to accrue from the proposal

must be balanced against its reasonably foreseeable detriments. All factors which may be relevant to the proposal will be considered including the cumulative effects thereof; among those are conservation, economics, aesthetics, general environmental concerns, wetlands, historic properties, fish and wildlife values, flood hazards, floodplain values, land use, navigation, shoreline erosion and accretion, recreation, water supply and conservation, water quality, energy needs, safety, food and fiber production, mineral needs, consideration of property ownership and, in general, the needs and welfare of the people.

The Corps of Engineers is soliciting comments from the public; Federal, State, and local agencies and officials; Indian Tribes; and other interested parties in order to consider and evaluate the impacts of this proposed activity. Any comments received will be considered by the Corps of Engineers to determine whether to issue, modify, condition or deny a permit for this proposal. To make this decision, comments are used to assess impacts on endangered species, historic properties, water quality, general environmental effects, and the other public interest factors listed above. Comments are used in the preparation of an Environmental Assessment and/or an Environmental Impact Statement pursuant to the National Environmental Policy Act. Comments are also used to determine the need for a public hearing and to determine the overall public interest of the proposed activity.

Any person may request, in writing, within the comment period specified in this notice, that a public hearing be held to consider this application. Requests for public hearings shall state with particularity, the reasons for holding a public hearing.

Evaluation of the probable impacts involving deposits of dredged or fill material into waters of the United States will include the application of guidelines established by the Administrator of the U.S. Environmental Protection Agency.

Correspondence concerning this Public Notice should refer to Public Notice Number **SAM-2023-00773-CSP** and should be directed to the District Engineer, Mobile District, Regulatory Division, Mobile, Post Office Box 2288, Mobile, Alabama 36628-0001, Attention: Christopher S. Pickering, or submitted electronically at christopher.s.pickering@usace.army.mil, (251) 455-8627. Copies of all comments should be furnished to the Mississippi Department of Environmental Quality, Office of Pollution Control, Post Office Box 2261, Jackson, Mississippi 39225 and the Mississippi Department of Marine Resources, 1141 Bayview Avenue, Biloxi, Mississippi 39530.

All comments should be received no later than 30 days from the date of this Public Notice.

For additional information about our Regulatory Program, please visit our web site at www.sam.usace.army.mil/Missions/Regulatory.aspx.

MOBILE DISTRICT
U.S. Army Corps of Engineers

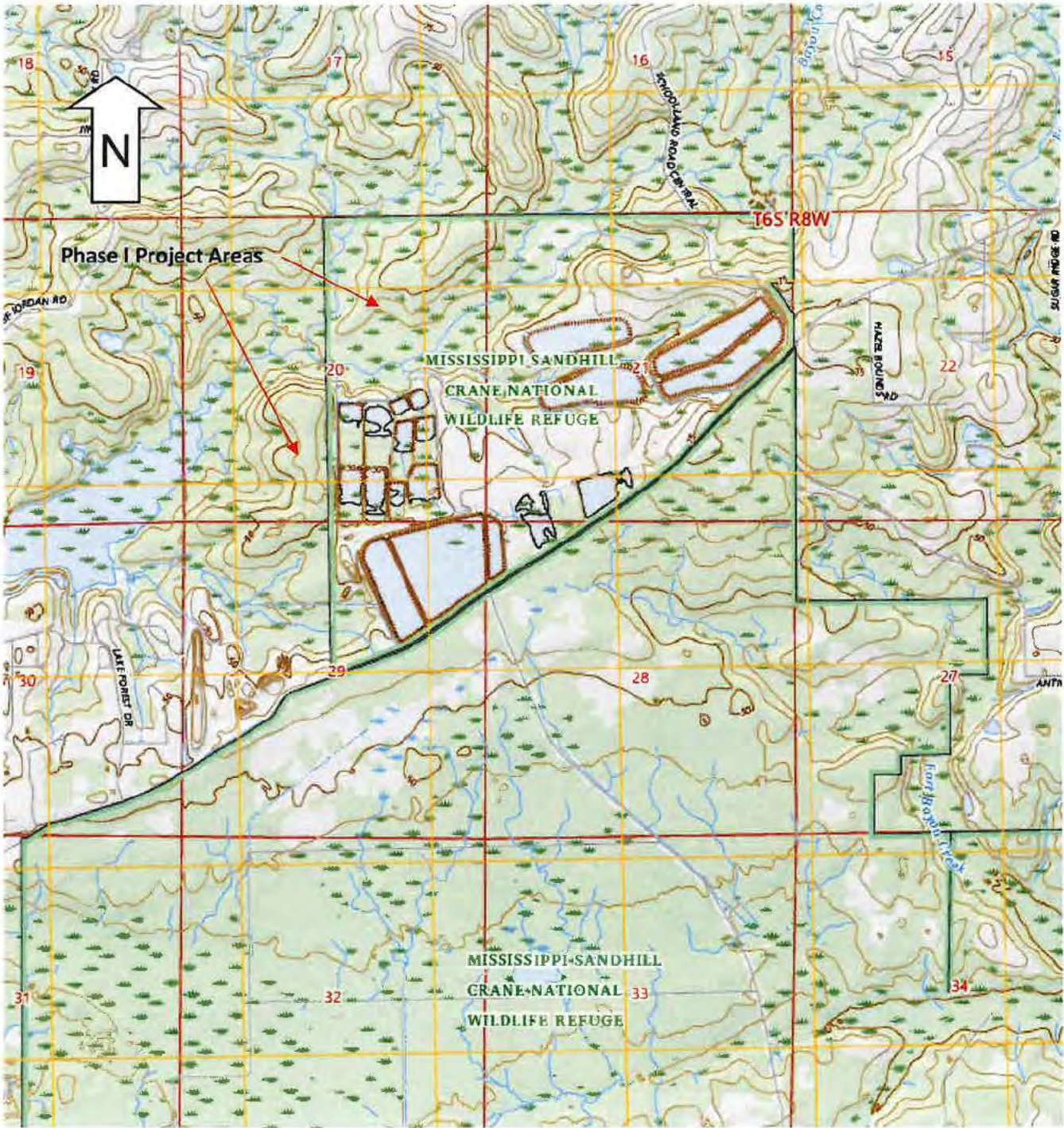
Attachments



Site: Seaman Road Project Location
Jackson County Utility Authority
Jackson County, MS

Figure Title: **Site Location Aerial Photograph** (Map Source: Google Earth)

Figure 1



Site: JCUA POTW 1C Facility Plan
 Ocean Springs, Jackson County, MS

Figure Title: **Topographic Map** (Map Source: MyTopo Map Pass. Photo Date: September 9, 2012)

Job Number:
 17929

LEGEND:

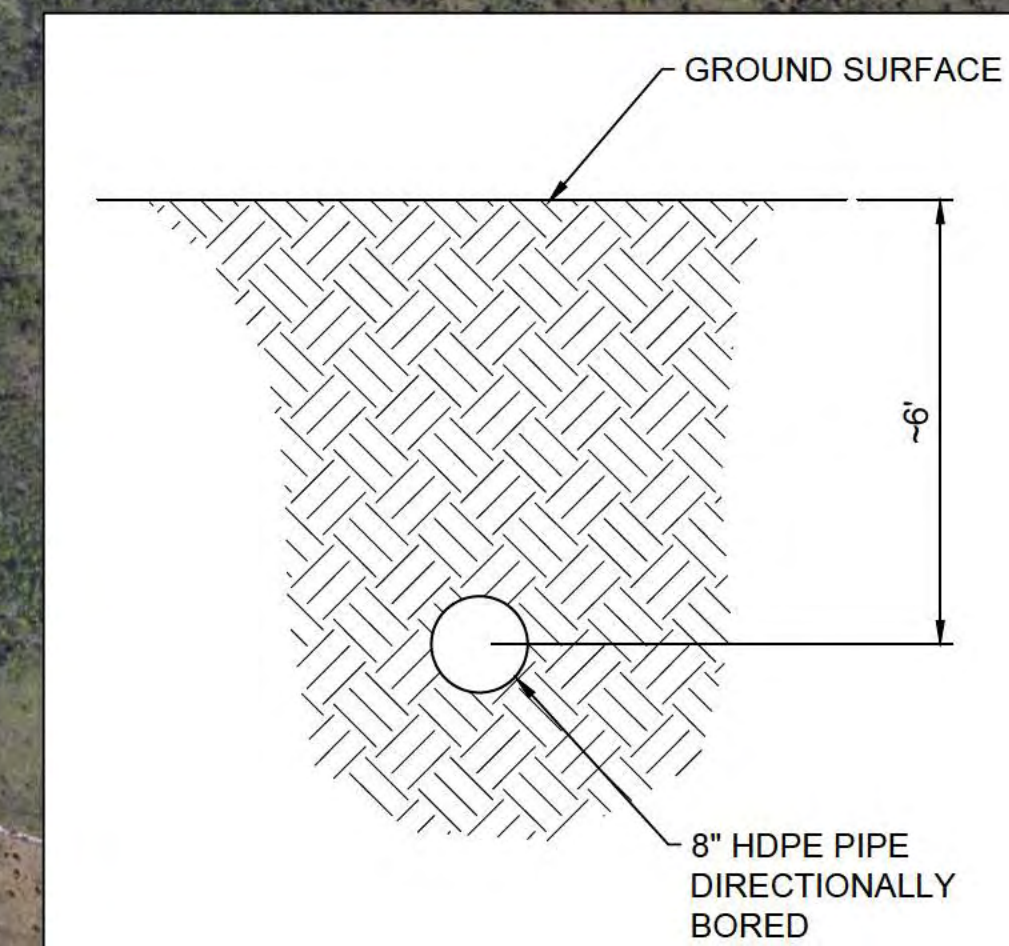
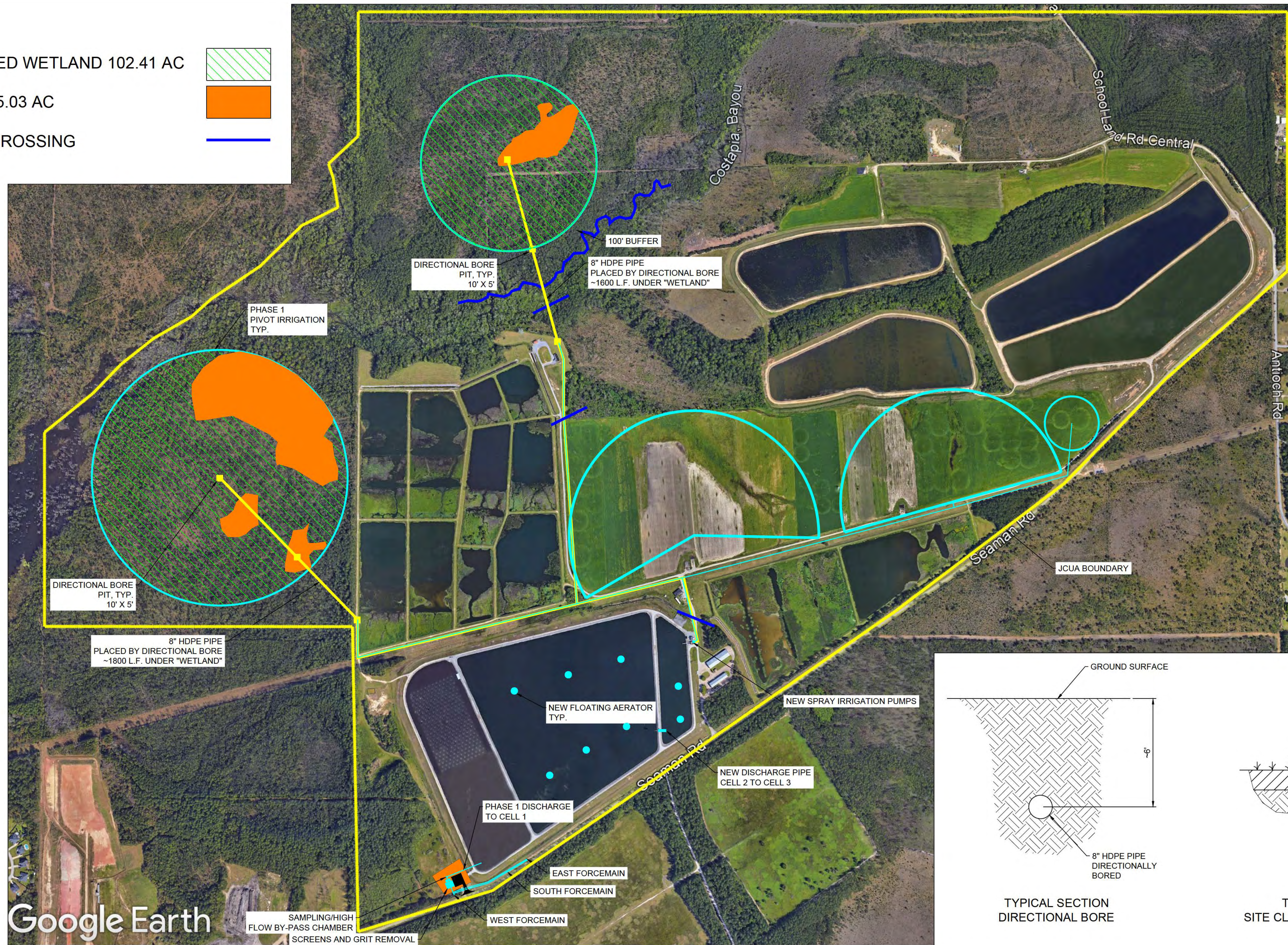
DELINEATED WETLAND 102.41 AC



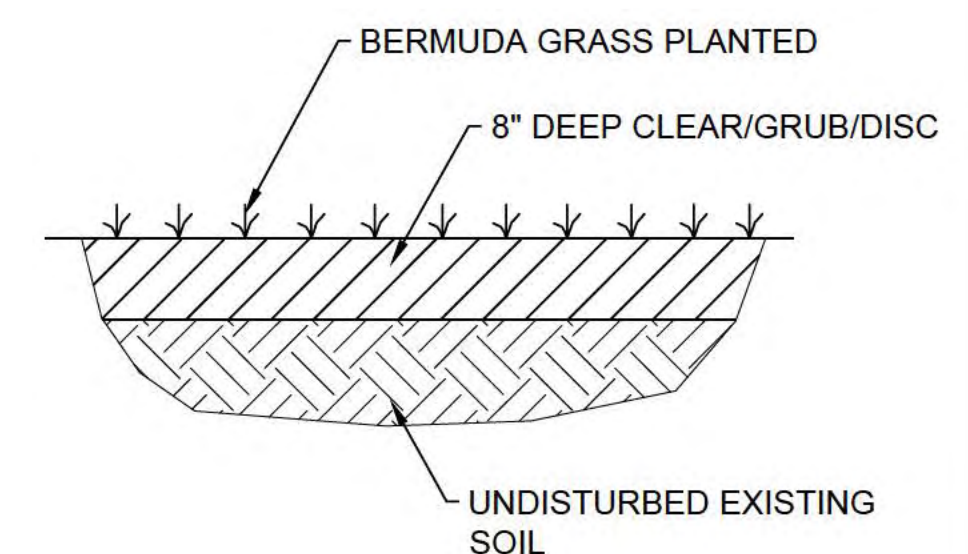
UPLAND 25.03 AC



STREAM CROSSING



TYPICAL SECTION DIRECTIONAL BORE



TYPICAL SECTION SITE CLEARING AND PLANTING

Google Earth

NOTICE TO DRAWING HOLDER
 NEEL-SCHAFFER, INC., HERINAFTER REFERRED TO AS THE ENGINEER HAS PREPARED AND FURNISHED THIS DRAWING TO THE OWNER FOR USE ON THIS PROJECT ONLY. THIS DRAWING SHOULD NOT BE USED ON EXTENSIONS OF THIS PROJECT OR ON ANY OTHER PROJECT. ANY REUSE OF THIS DRAWING, WITHOUT WRITTEN VERIFICATION OR ADAPTATION BY THE ENGINEER, SHALL BE AT THE REUSER'S SOLE RISK AND THE REUSER SHALL INDEMNIFY AND HOLD HARMLESS THE ENGINEER FROM ALL CLAIMS, DAMAGES, LOSSES AND EXPENSES, INCLUDING ATTORNEY'S FEES ARISING OUT OF OR RESULTING THEREFROM.

REVISIONS				DRAWING INFORMATION	
NO.	DATE	BY	DESCRIPTION	N-S PROJECT NO.:	DATE:
				15939	
				FILENAME: SHEET 1 OVERALL	
				SCALE: 1" = 400'	
				SURVEYED BY:	
				DSGN: ___	DATE: ___/___/___
				DRWN: ___	DATE: ___/___/___
				CHKD: ___	DATE: ___/___/___
				QA/QC: ___	DATE: ___/___/___

WJC POTW 1C
PROPOSED PROCESS MODIFICATIONS
 JACKSON COUNTY UTILITY AUTHORITY
 JACKSON COUNTY, MS



OVERALL CONCEPTUAL DESIGN
 PHASE 1

WORKING NUMBER: DRAWING NUMBER:
 1 OF 1