

Engineering Plus, Inc.

Planning • Surveying • Testing • Landscape Design

September 16, 2024

Ms. Carrie Barefoot
Mississippi Department of Environmental Quality
P.O. Box 2261
Jackson, MS 39225

Re: *Lauderdale County Class I Rubbish Landfill – Stormwater Coverage Modification
Permit MSR002494
Lauderdale County, MS*

Dear Ms. Barefoot

On behalf of JWC Environmental, this Major Modification Form is being submitted to include the 4.4-acre expansion of the existing Lauderdale County Class I Rubbish Landfill, formerly named H.E. Mosely Landfill, to the existing Stormwater Coverage Permit. Enclosed you will find, in duplicate, Major Modification Form, pertinent information regarding the proposed expansion. The proposed expansion will be incorporated into the amendment of the Lauderdale County Local Solid Waste Management Plan.

Please review the enclosed documents and provide any comments as necessary. JWC Environmental and Engineering Plus, Inc. certainly appreciate your immediate attention to this matter. Please feel free to contact me should you have any questions.

Sincerely,

Lucas Leeper, P.E.
Project Engineer
Enclosure: As noted

AI: 18353

Rec'd via email:
09/16/2024

**MAJOR MODIFICATION FORM
FOR INDUSTRIAL STORMWATER GENERAL PERMIT**
Coverage No. MSR00²⁴⁹⁴ County Lauderdale



INSTRUCTIONS

Coverage recipients shall notify the Mississippi Department of Environmental Quality at least 30 days in advance of the following activities (check all that apply). This form should be submitted with a modified Storm Water Pollution Prevention Plan (SWPPP), updated USGS topographic map, Corps of Engineers Section 404 documentation and wastewater collection and treatment information, as appropriate.

- Facility operations are proposed to change.
- "Footprint" identified in the original ISNOI is proposed to be enlarged.
- Stormwater Quality BMPs are proposed to be modified.

This form must be signed by the current coverage recipient under Mississippi's Industrial Stormwater General Permit, an attached SWPPP must be included, and documentation of the changes compared to the previous approved SWPPP are attached.

Coverage recipients are authorized to discharge storm water associated with proposed new operations, additional areas of activity, or modified BMPs, under the conditions of the General Permit, only upon receipt of written notification of approval by MDEQ. All other modifications must be in accordance with ACT9, S-1 (6) and S-2 (7) of the General Permit.

ALL INFORMATION MUST BE COMPLETED (indicate "N/A" where not applicable)

COVERAGE RECIPIENT INFORMATION

COVERAGE RECIPIENT CONTACT NAME: Billy Joe Jay TEL # 601 - 693-7713
 COMPANY NAME: JWC Environmental LLC 1400 Willow Lake Road
 STREET OR P.O. BOX: _____
 CITY: Meridian STATE: MS ZIP: 39301 E-MAIL: bjay@jwcenviro.com

PROJECT INFORMATION

PROJECT NAME: Lauderdale County Class I Rubbish Landfill
 CITY: Meridian

I certify under penalty of law that this document and all attachments were prepared under my direction or supervision in accordance with a system designed to assure that qualified personnel properly gathered and evaluated the information submitted. Based on my inquiry of the person or persons who manage the system, or those persons directly responsible for gathering the information, the information submitted is, to the best of my knowledge and belief, true, accurate and complete. I am aware that there are significant penalties for submitting false information, including the possibility of fine and imprisonment for knowing violations.

Billy Jay
Signature (must be signed by coverage recipient)

9-16-24
Date

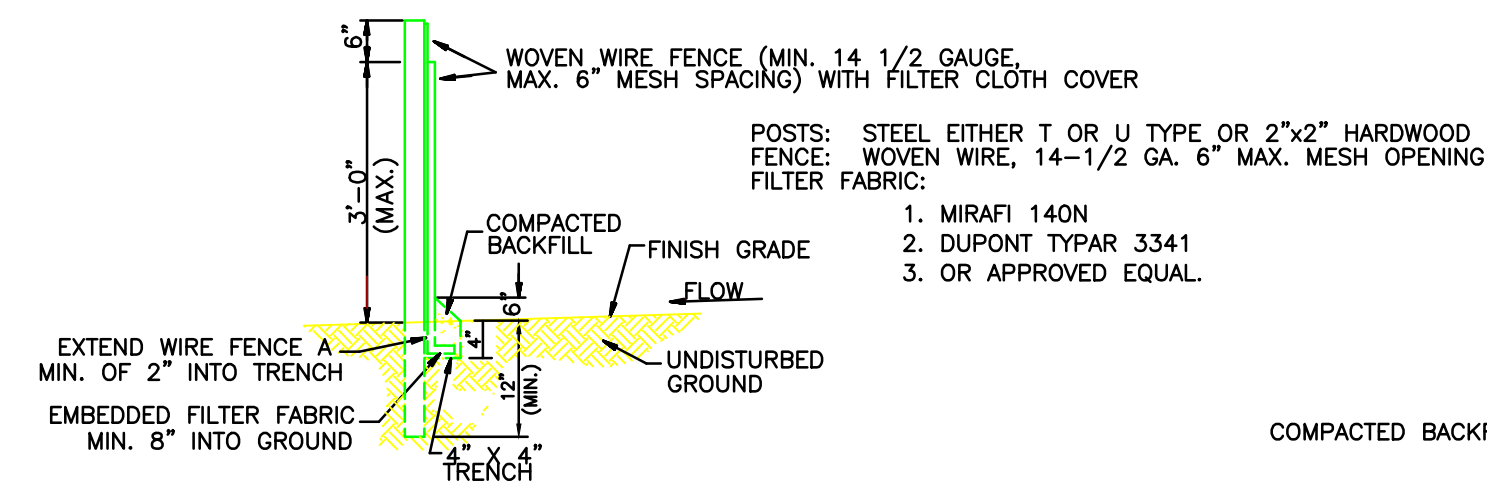
Billy Jay
Printed Name

owner
Title

Please submit this form to:

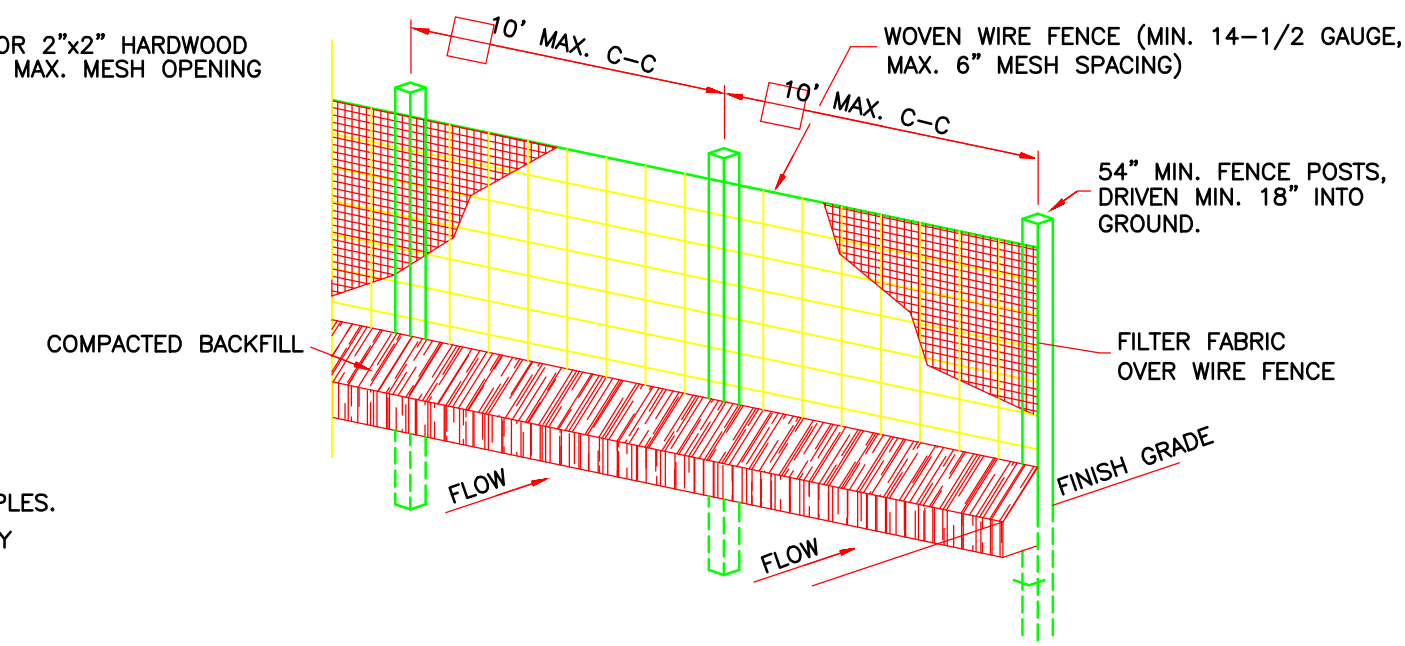
Chief, Environmental Permits Division
MS Department of Environmental Quality, Office of Pollution Control
P.O. Box 2261
Jackson, Mississippi 39225

O.C

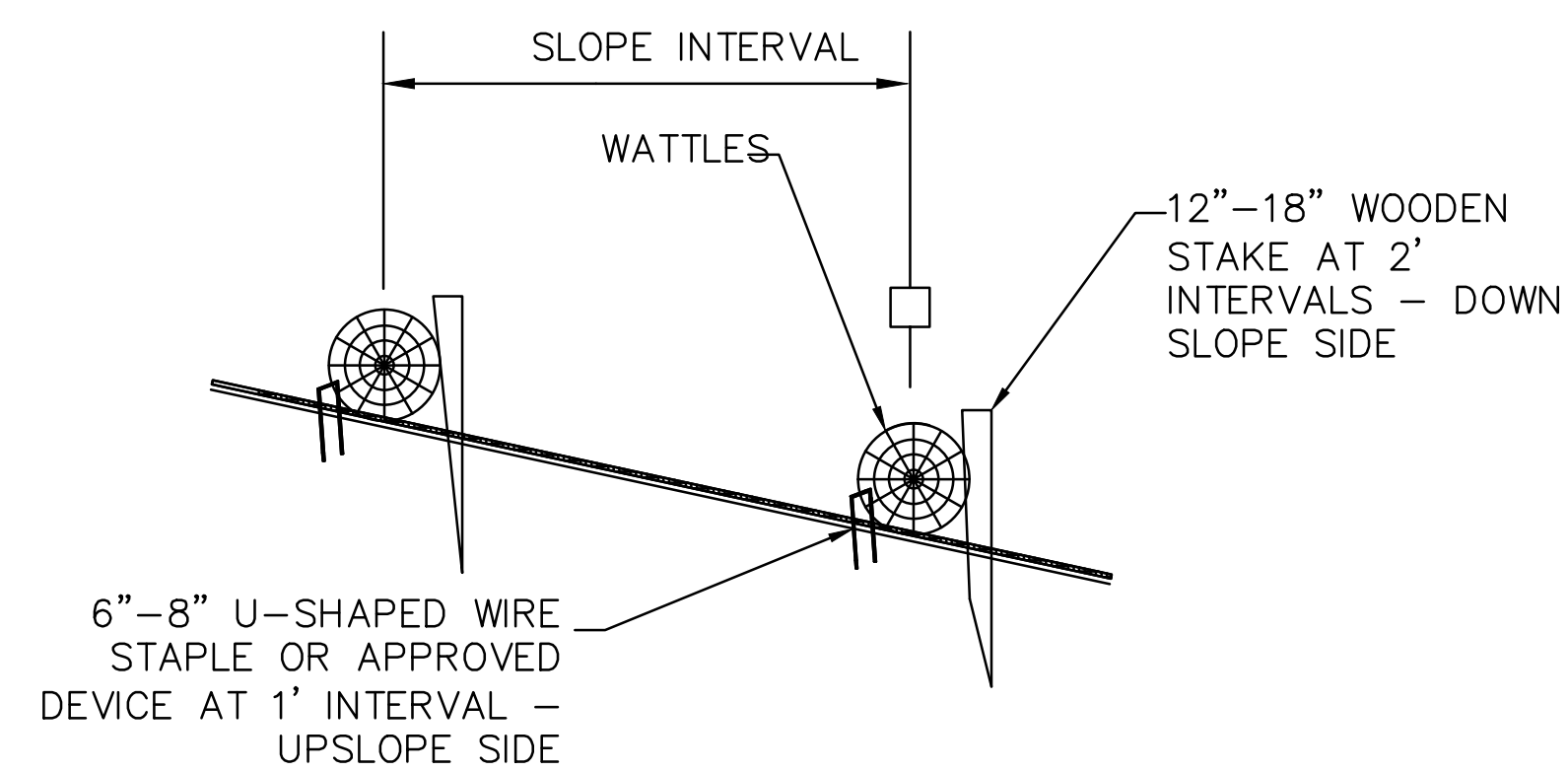


CROSS-SECTION

1. WOVEN WIRE FENCE TO BE FASTENED SECURELY TO FENCE POSTS WITH WIRE TIES OR STAPLES.
2. FILTER CLOTH TO BE FASTENED SECURELY TO WOVEN WIRE FENCE WITH TIES SPACED EVERY 24" AT TOP AND MID SECTION.
3. WHEN TWO SECTIONS OF FILTER CLOTH ADJOIN EACH OTHER THEY SHALL BE OVERLAPPED BY SIX INCHES AND FOLDED.
4. MAINTENANCE SHALL BE PERFORMED AS NOTED IN THE EROSION CONTROL PLAN. COLLECTED MATERIAL SHALL BE REMOVED WHEN "BULGES" DEVELOP IN THE SILT FENCE.



SILT FENCE DETAIL
SCALE: NOT TO SCALE



NO.	DATE	REVISION	DESCRIPTION	BY
LAUDERDALE COUNTY CLASS I RUBBISH EROSION CONTROL DETAILS				
FOR LAUDERDALE COUNTY LANDFILL LLC MERIDIAN, MS				
DWG FILE:	DATE: 9-16-24	DRAWN BY: LL		SHEET
JOB NO.	CHECKED BY: RLA	SCALE:		
DRAWING NO.				